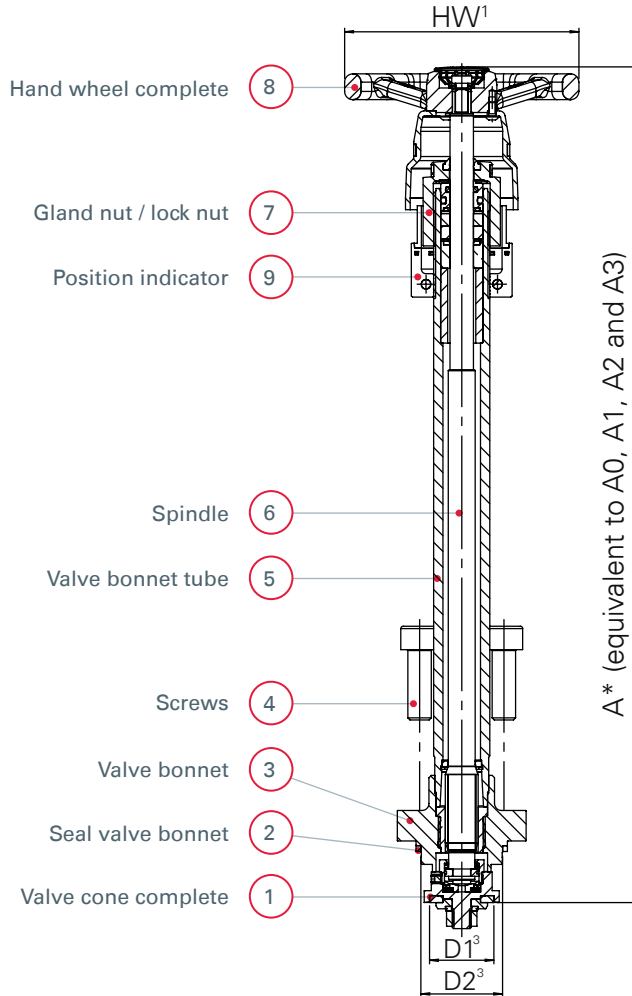


→ Overview of spare parts 2140 |
Valve bonnet complete with position indicator



■ VALVE BONNET COMPLETE WITH POSITION INDICATOR FOR SERIES 2140 (A1 - A3)

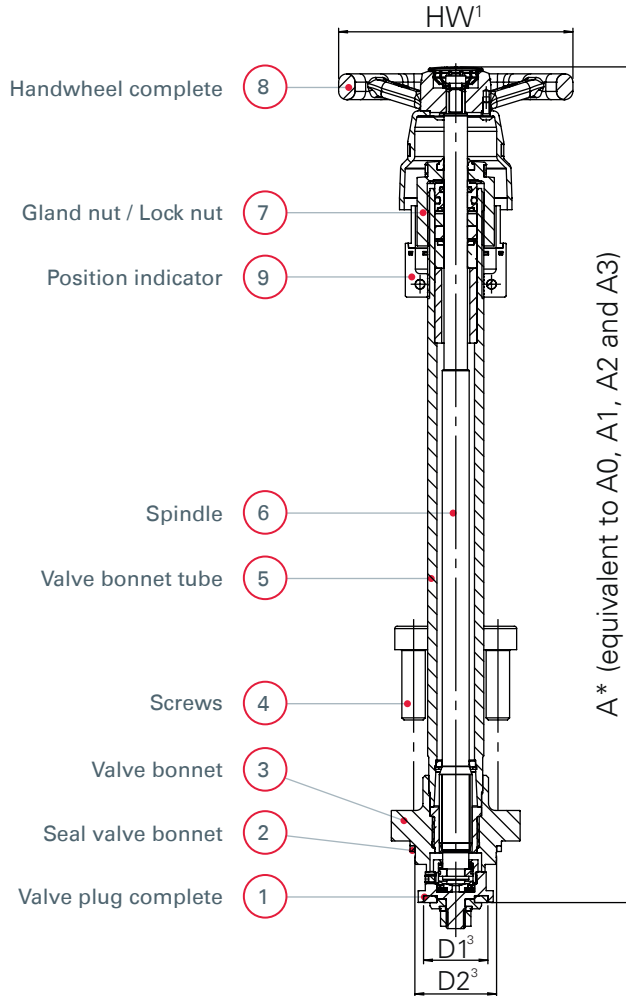
Pos.	Description	Material	Nominal diameter	D1 [mm]	D2 [mm]	Item No. (A1)	Item No. (A2)	Item No. (A3)
1	Valve cone complete ¹							
2	Seal valve bonnet	PTFE TFM 1600						
3	Valve bonnet	1.4408 / CF8M	DN 10	17	24	E2140.010.62	E2140.010.61	E2140.010.60
4	Screws	1.4301 / 304	DN 15	22	26	E2140.015.62	E2140.015.61	E2140.015.60
			DN 20	26	32	E2140.020.62	E2140.020.61	E2140.020.60
5	Valve bonnet tube	1.4404 / 316 L	DN 25	29,5	35	E2140.025.62	E2140.025.61	E2140.025.60
			DN 32 ²	38	44	E2140.032.62	E2140.032.61	E2140.032.60
6	Spindle	1.4404 / 316 L	DN 40 ²	38/43	44/48	E2140.040.62	E2140.040.61	E2140.040.60
7	Gland nut / lock nut	1.4404 / 316 L	DN 50	52	57	E2140.050.62	E2140.050.61	E2140.050.60
8	Hand wheel complete ¹	PA6 30% GF						
9	Position indicator ¹	1.4408 / CF8M						

¹ Materials, see spare parts overview 2140: Valve plug complete, handwheel complete and position indicator.

² Please note, especially for DN32 and DN40, that the actuator size does not always correspond to the nominal diameter (see D1 and D2).

Safety valves and fittings for cryogenic applications

→ Overview of spare parts 2140 | Valve bonnet complete with check function and position indicator



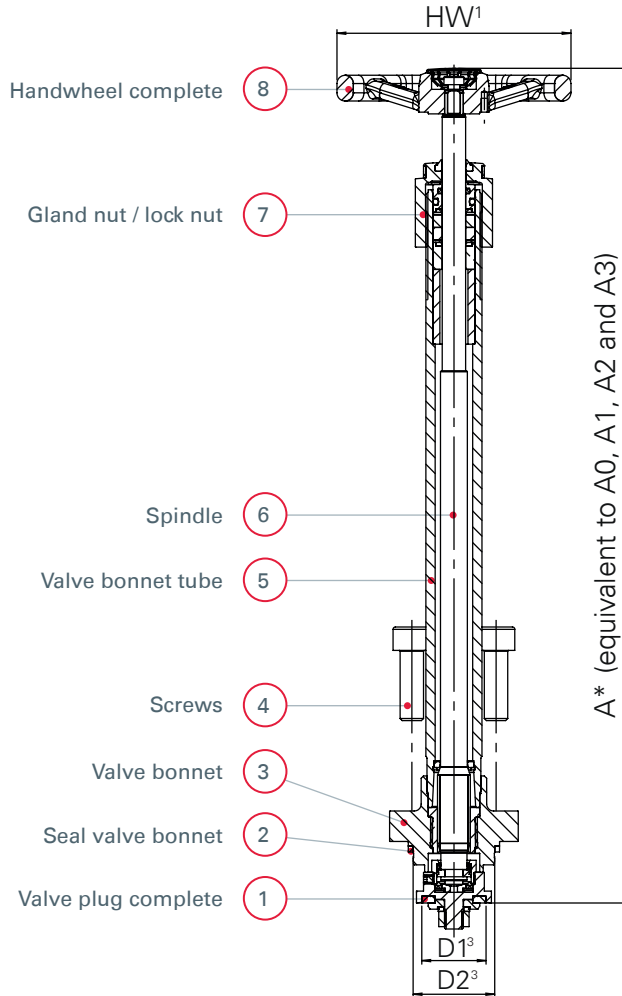
■ VALVE BONNET COMPLETE WITH CHECK FUNCTION AND POSITION INDICATOR FOR SERIES 2140 (A1 - A3)

Pos.	Description	Material	Nominal diameter	D1 [mm]	D2 [mm]	Item No. (A1)	Item No. (A2)	Item No. (A3)
1	Valve plug complete with RV ¹							
2	Seal Valve bonnet	PTFE TFM 1600						
3	Valve bonnet	1.4408 / CF8M	DN 10	17	24	E2140.010.67	E2140.010.66	E2140.010.65
4	Screws	1.4301 / 304	DN 15	22	26	E2140.015.67	E2140.015.66	E2140.015.65
5	Valve bonnet tube	1.4571 / 316Ti 1.4404 / 316 L	DN 20	26	32	E2140.020.67	E2140.020.66	E2140.020.65
			DN 25	29,5	35	E2140.025.67	E2140.025.66	E2140.025.65
6	Spindle	1.4404 / 316 L	DN 32 ²	38	44	E2140.032.67	E2140.032.66	E2140.032.65
			DN 40 ²	43	48	E2140.040.67	E2140.040.66	E2140.040.65
7	Gland nut / Lock nut	1.4404 / 316 L	DN 50	52	57	E2140.050.67	E2140.050.66	E2140.050.65
8	Handwheel ¹	PA6 30% GF						
9	Position indicator	1.4408 / CF8M						

¹ Materials, see spare parts overview 2140: Valve plug complete, handwheel complete and position indicator.

² Please note, especially for DN32 and DN40, that the actuator size does not always correspond to the nominal diameter (see D1 and D2).

Overview of spare parts 2140 | Valve bonnet complete without position indicator



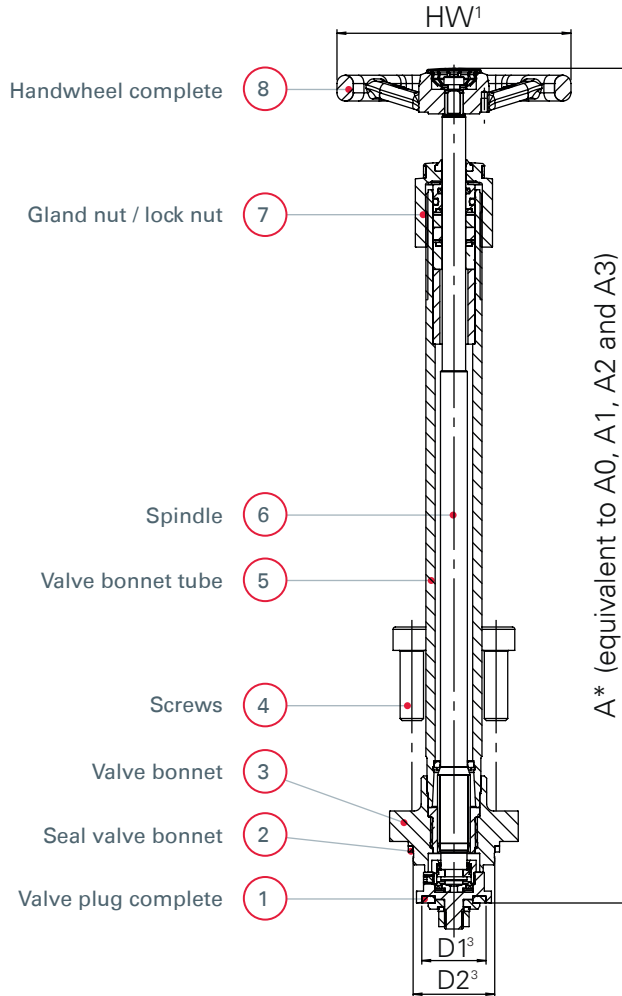
■ VALVE BONNET COMPLETE WITHOUT POSITION INDICATOR FOR SERIES 2140 (A1 - A3)

Pos.	Description	Material	Nominal diameter	D1 [mm]	D2 [mm]	Item No. (A1)	Item No. (A2)	Item No. (A3)
1	Valve plug complete ¹							
2	Seal valve bonnet	PTFE TFM 1600						
3	Valve bonnet	1.4408 / CF8M	DN 10	17	24	E2140.010.82	E2140.010.81	E2140.010.80
			DN 15	22	26	E2140.015.82	E2140.015.81	E2140.015.80
4	Screws	1.4301 / 304	DN 20	26	32	E2140.020.82	E2140.020.81	E2140.020.80
			DN 25	29,5	35	E2140.025.82	E2140.025.81	E2140.025.80
5	Valve bonnet tube	1.4404 / 316 L	DN 32 ²	38	44	E2140.032.82	E2140.032.81	E2140.032.80
			DN 40 ²	38/43	44/48	E2140.040.82	E2140.040.81	E2140.040.80
6	Spindle	1.4404 / 316 L	DN 50	52	57	E2140.050.82	E2140.050.81	E2140.050.80
7	Gland nut / lock nut	1.4404 / 316 L						
8	Handwheel complete ¹	1.4408 / CF8M						

¹ Materials, see overview of spare parts 2140: Valve plug complete and handwheel complete.

² Please note, especially for DN32 and DN40, that the actuator size does not always correspond to the nominal diameter (see D1 and D2).

Overview of spare parts 2140 | Valve bonnet complete with check function without position indicator



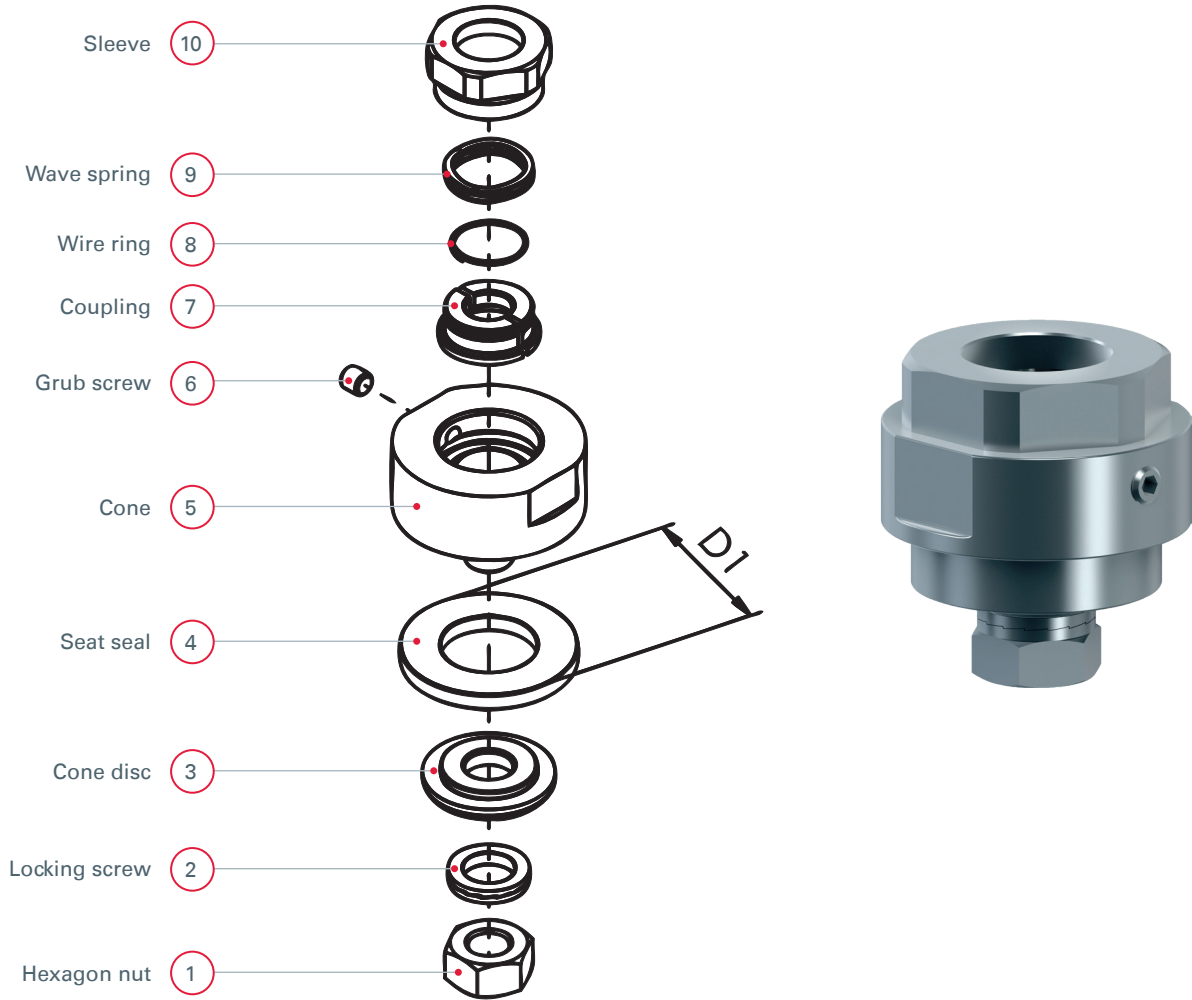
■ VALVE BONNET COMPLETE WITH CHECK FUNCTION WITHOUT POSITION INDICATOR FOR SERIES 2140 (A1 - A3)

Pos.	Description	Material	Nominal diameter	D1 [mm]	D2 [mm]	Item No. (A1)	Item No. (A2)	Item No. (A3)
1	Valve plug complete with RV ¹							
2	Seal Valve bonnet	PTFE TFM 1600						
3	Valve bonnet	1.4408 / CF8M	DN 10	17	24	E2140.010.87	E2140.010.86	E2140.010.85
4	Screws	1.4301 / 304	DN 15	22	26	E2140.015.87	E2140.015.86	E2140.015.85
			DN 20	26	32	E2140.020.87	E2140.020.86	E2140.020.85
5	Valve bonnet tube	1.4571 / 316Ti 1.4404 / 316 L	DN 25	29,5	35	E2140.025.87	E2140.025.86	E2140.025.85
			DN 32 ²	38	44	E2140.032.87	E2140.032.86	E2140.032.85
			DN 40 ²	43	48	E2140.040.87	E2140.040.86	E2140.040.85
6	Spindle	1.4404 / 316 L	DN 50	52	57	E2140.050.87	E2140.050.86	E2140.050.85
7	Gland nut / lock nut	1.4404 / 316 L						
8	Handwheel ¹	1.4408 / CF8M						

¹ Materials, see overview of spare parts 2140: Valve plug complete and handwheel complete.

² Please note, especially for DN32 and DN40, that the actuator size does not always correspond to the nominal diameter (see D1 and D2).

→ Overview of spare parts 2140 | Valve disc section complete with spindle adaption

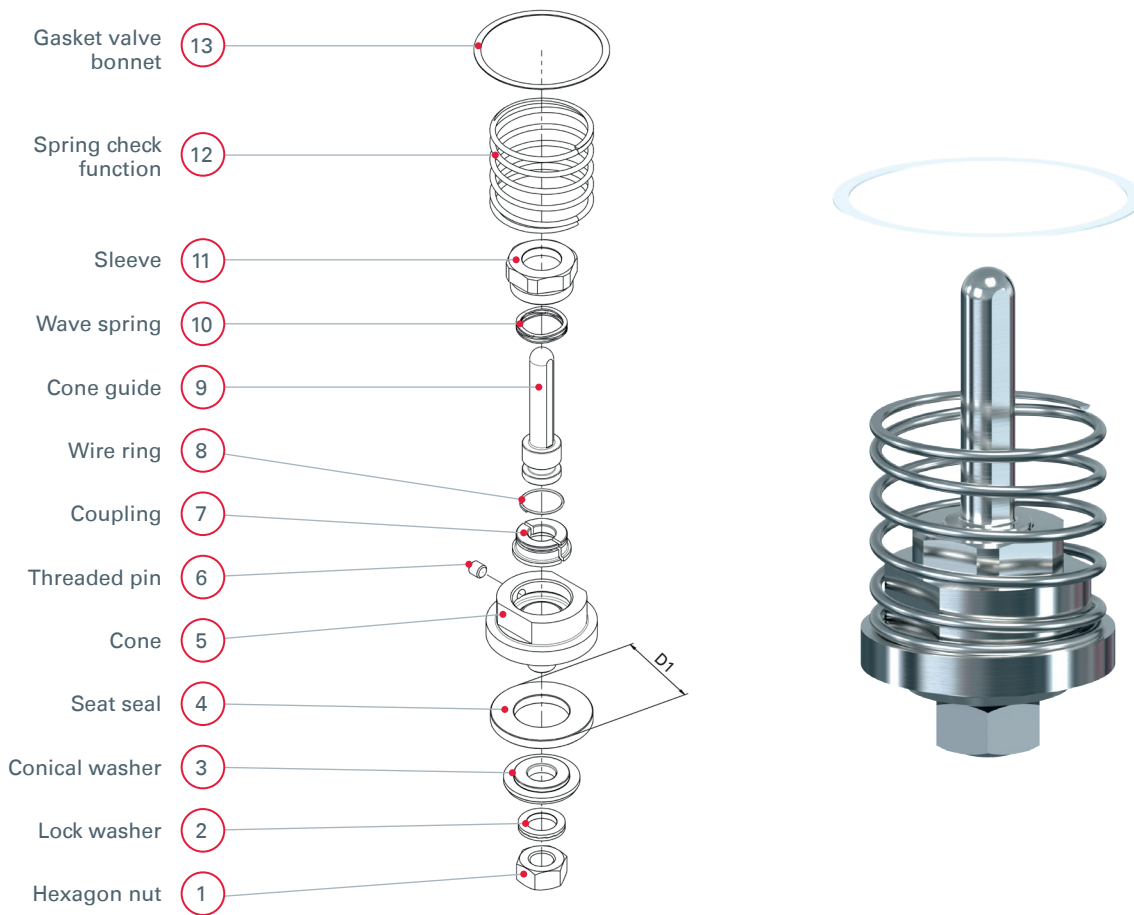


■ COMPONENTS VALVE DISC SECTION COMPLETE WITH SPINDLE ADAPTION 2140

No.	Description	Material	Nominal diameter	D1	Item No.
1	Hexagon nut	1.4401 / 316			
2	Locking screw	1.4404 / 316 L			
3	Cone disc	1.4404 / 316 L			
4	Seat seal	PTFE TF 4215	DN 10	17	E2140.010.20
			DN 15	22	E2140.015.20
5	Cone	1.4404 / 316 L	DN 20	26	E2140.020.20
			DN 25	29,5	E2140.025.20
6	Grub screw	1.4301 / 304	DN 32 ¹	38	E2140.032.20
7	Coupling	1.4404 / 316 L	DN 40 ¹	43	E2140.040.20
			DN 50	52	E2140.050.20
8	Wire ring	1.4310			
9	Wave spring	1.4568			
10	Sleeve	1.4404 / 316 L			

¹ Please note with the nominal diameter that the actuator size does not always correspond to the DN, especially with DN32 and DN40 (see D2)!

→ Overview of spare parts 2140 |
Valve cone complete with non-return function

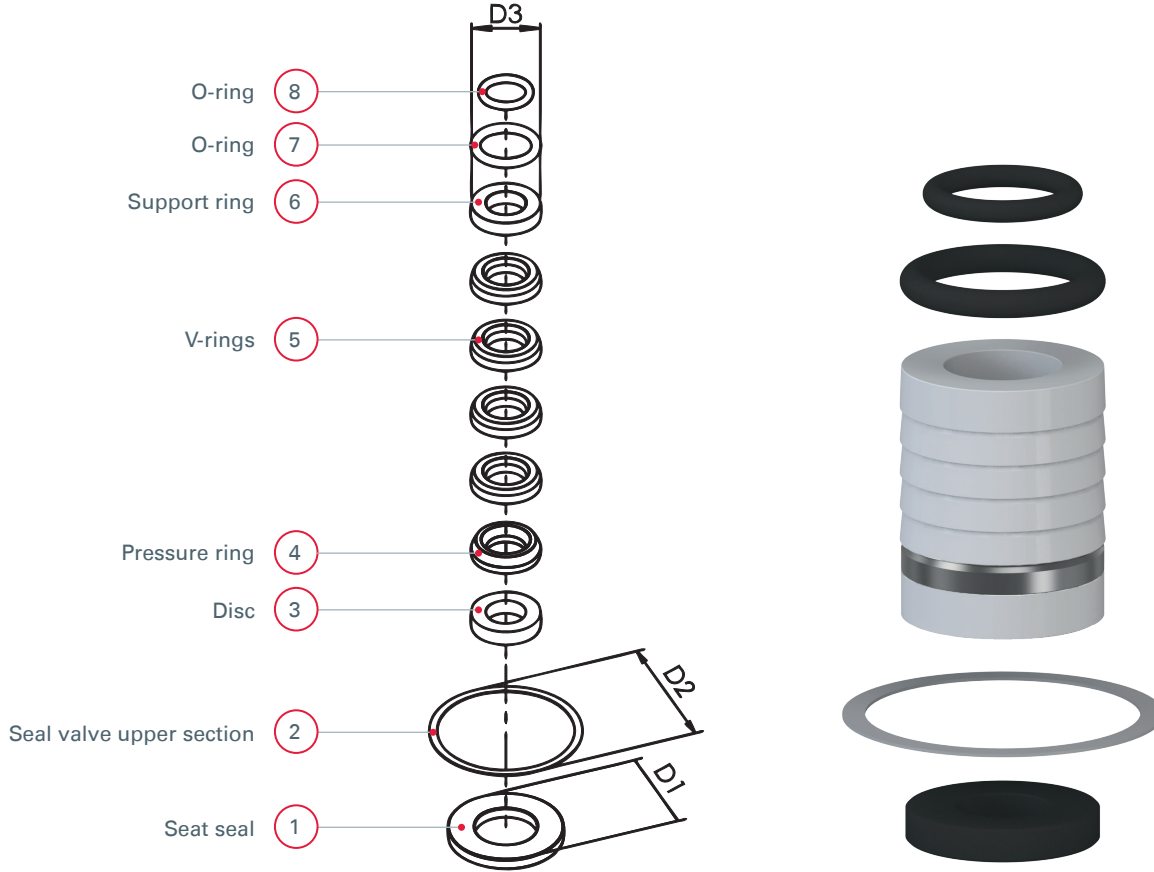


■ SPARE PARTS VALVE CONE COMPLETE WITH NON-RETURN FUNCTION 2140

Pos.	Description	Material	Nominal diameter	D1 [mm]	Item No.
1	Hexagon nut	1.4404 / 316 L			
2	Lock washer	1.4404 / 316 L			
3	Conical washer	1.4404 / 316 L			
4	Seat seal	PTFE TF 4215			
5	Cone	1.4404 / 316 L	DN 10	17	E2140.010.21
6	Threaded pin	1.4301 / 304	DN 15	22	E2140.015.21
7	Coupling	1.4404 / 316 L	DN 20	26	E2140.020.21
8	Wire ring	1.4310 / 302	DN 25	29,5	E2140.025.21
9	Cone guide	1.4404 / 316 L	DN 32 ¹	38	E2140.032.21
10	Wave spring	1.4401 / 316	DN 40 ¹	43	E2140.040.21
11	Sleeve	1.4404 / 316 L	DN 50	52	E2140.050.21
12	Spring check function	1.4310 / 302			
13	Gasket valve bonnet	PTFE TFM 1600			

¹ Please note that the nominal diameter does not always correspond to the drive size.

→ Overview of spare parts 2140/2180 | Sealing set complete

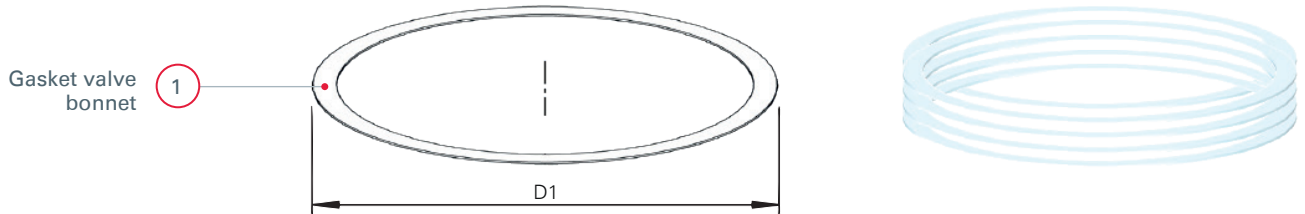


■ COMPONENTS SEALING SET COMPLETE 2140

No.	Description	Material	Nominal diameter	D1	D2	D3	Item No.
1	Seat seal	PTFE TF 4215					
2	Seal valve upper section	PTFE TFM 1600					
3	Disc	PTFE TFM 1600	DN 10	17 mm	28 mm	18 mm	E2140.010.35
			DN 15	22 mm	30 mm	18 mm	E2140.015.35
4	Pressure ring	1.4404 / 316 L	DN 20	26 mm	38 mm	18 mm	E2140.020.35
			DN 25	29,5 mm	39 mm	18 mm	E2140.025.35
5	V-rings	PTFE TFM 1600	DN 32 ¹	38 mm	50 mm	22 mm	E2140.032.35
			DN 40 ¹	43 mm	54 mm	22 mm	E2140.040.35
6	Support ring	PTFE TFM 1600	DN 50	52 mm	63 mm	22 mm	E2140.050.35
7	O-ring	HNBR					
8	O-ring	HNBR					

¹When selecting the nominal size, please note that the actuator size does not always correspond to the DN, especially with DN32 and DN40 (see D1, D2 + D3)!

→ Overview of spare parts
2140/2142/2143/2180/2182/2183 |
Gasket package valve bonnet

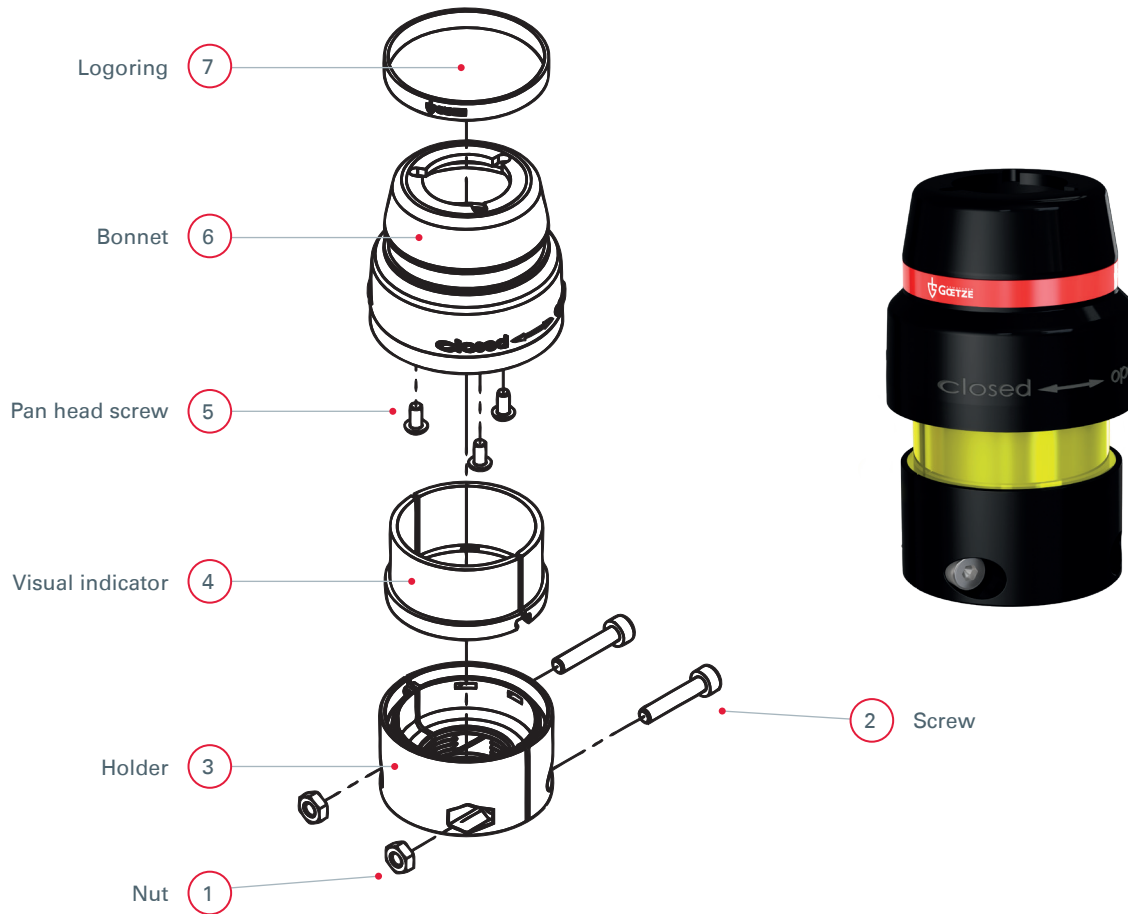


■ GASKET PACKAGE VALVE BONNET 2140/2142/2143/2180/2182/2183

Pos.	Description	Material	Nominal diameter	D1 [mm]	Number of items	Item No.
1	Gasket valve bonnet	PTFE TFM 1600	DN 10	28	5	E2140.010.38
			DN 15	30		E2140.015.38
			DN 20	38		E2140.020.38
			DN 25	39		E2140.025.38
			DN 32 ¹	50		E2140.032.38
			DN 40 ¹	54		E2140.040.38
			DN 50	63		E2140.050.38

¹ Please note that the nominal diameter does not always correspond to the drive size, especially for DN32 and DN40 (see D1)!

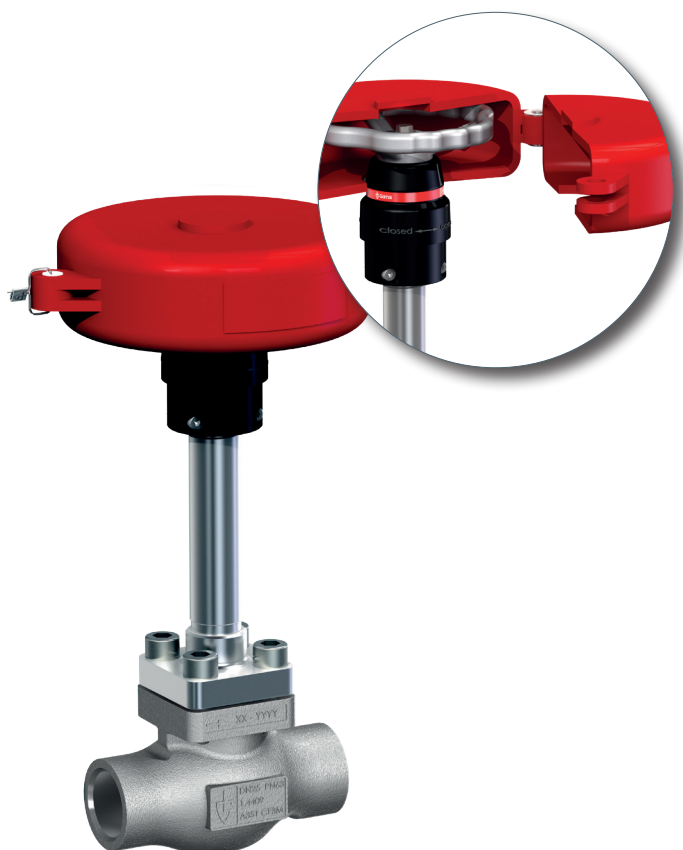
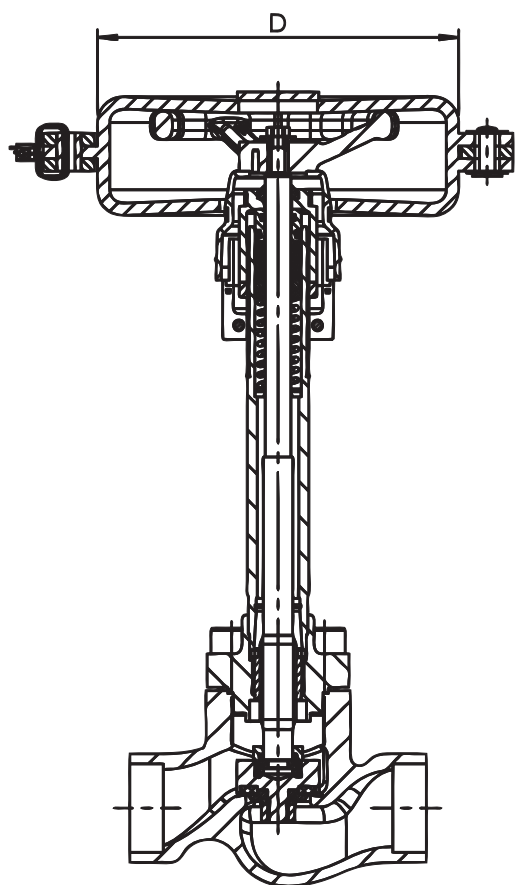
→ Overview of spare parts 2140/2180/2141 | Position indicator



■ INDIVIDUAL PARTS POSITION INDICATOR 2140

Pos.	Description	Material	Nominal diameter	Item No.
1	Nut	1.4401 / 316	DN 10 – DN 25 DN 32 – DN 50	E2140.01025.01 E2140.03250.01
2	Screw	1.4301 / 304		
3	Holder	PA6 30GF - black		
4	Visual indicator	PA6 30GF - yellow		
5	Pan head screw	1.4401 / 316		
6	Bonnet	PA6 30GF - black		
7	Logoring	Elastolan C 95 A 55		

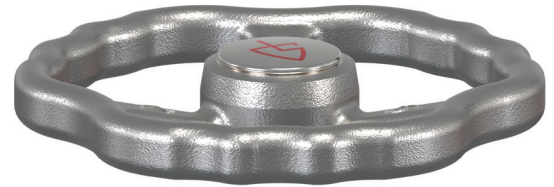
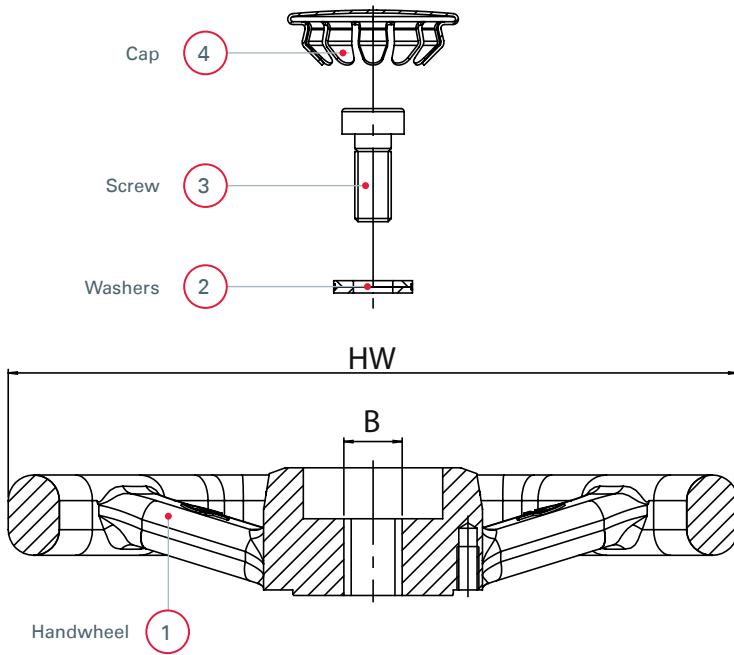
→ Overview of spare parts 2140/2180/2141 | Handwheel locking



■ HANDWHEEL LOCKING 2140

No.	Description	Material	Nominal diameter	D	Item No.
1	Valve shut-off for handwheel	Polypropylen	DN 10 – DN 50	140	E2140.01050.05

→ Overview of spare parts 2140/2180/2141 | Handwheel complete



■ INDIVIDUAL PARTS HANDWHEEL 2140 / 2180 / 2141

Pos.	Description	Material	Nominal diameter	HW [mm]	B (square) [mm]	Item No.
1	Handwheel ¹	1.4408 / CF8M				
2	Washers	1.4547 / 254SMO	DN 10 – DN 25 DN 32 – DN 50	100 125	8 12	E2140.01025.11 E2140.03250.11
3	Screw	1.4404 / 316 L				
4	Cap	1.4301 / 304				

¹ Coatings available on request!