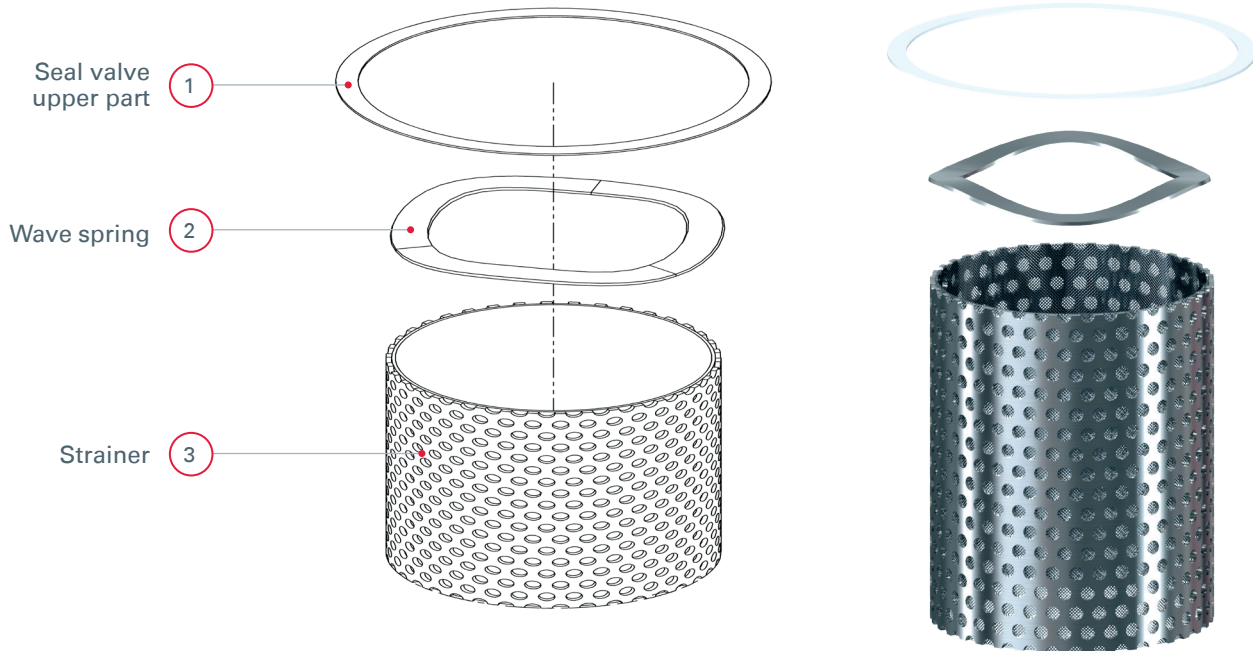


→ Overview of spare parts 2143/2183 |
Strainer complete



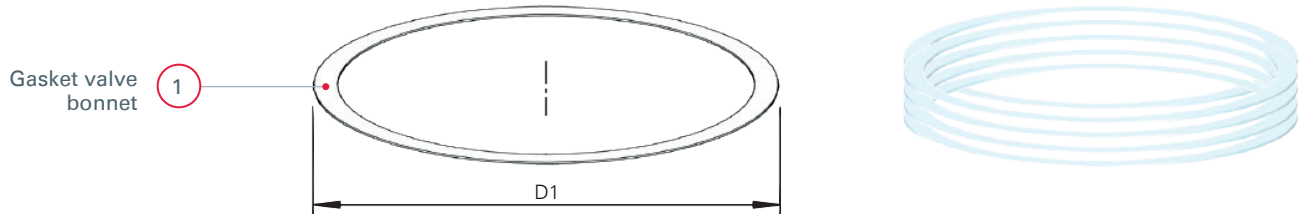
■ SPARE PARTS STRAINER COMPLETE 2143 / 2183

Pos.	Description	Material	Nominal diameter	Item No. / Mesh	
				0,25 mm	0,10 mm
1	Seal valve upper part	PTFE TFM 1600	DN 10	E2143.010.01	E2143.010.02
			DN 15	E2143.015.01	E2143.015.02
			DN 20	E2143.020.01	E2143.020.02
2	Wave spring	1.4568 / 631	DN 25	E2143.025.01	E2143.025.02
			DN 32	E2143.032.01	E2143.032.02
			DN 40	E2143.040.01	E2143.040.02
3	Strainer	1.4301 / 304	DN 50	E2143.050.01	E2143.050.02

Pos.	Description	Material	Nominal diameter	Item No. / Mesh	
				0,25 mm	0,10 mm
1	Seal valve upper part	PTFE TFM 1600	DN 10	E2143.010.03	E2143.010.04
			DN 15	E2143.015.03	E2143.015.04
			DN 20	E2143.020.03	E2143.020.04
2	Wave spring	1.4568 / 631	DN 25	E2143.025.03	E2143.025.04
			DN 32	E2143.032.03	E2143.032.04
			DN 40	E2143.040.03	E2143.040.04
3	Strainer	1.4404 / 316L	DN 50	E2143.050.03	E2143.050.04

Pos.	Description	Material	Nominal diameter	Item No. / Mesh	
				0,40 mm	0,15 mm
1	Seal valve upper part	PTFE TFM 1600	DN 10	E2143.010.05	E2143.010.06
			DN 15	E2143.015.05	E2143.015.06
			DN 20	E2143.020.05	E2143.020.06
2	Wave spring	1.4568 / 631	DN 25	E2143.025.05	E2143.025.06
			DN 32	E2143.032.05	E2143.032.06
			DN 40	E2143.040.05	E2143.040.06
3	Strainer	2.4360 / 400	DN 50	E2143.050.05	E2143.050.06

→ Overview of spare parts
2140/2142/2143/2180/2182/2183 |
Gasket package valve bonnet



■ GASKET PACKAGE VALVE BONNET 2140/2142/2143/2180/2182/2183

Pos.	Description	Material	Nominal diameter	D1 [mm]	Number of items	Item No.
1	Gasket valve bonnet	PTFE TFM 1600	DN 10	28	5	E2140.010.38
			DN 15	30		E2140.015.38
			DN 20	38		E2140.020.38
			DN 25	39		E2140.025.38
			DN 32 ¹	50		E2140.032.38
			DN 40 ¹	54		E2140.040.38
			DN 50	63		E2140.050.38

¹ Please note that the nominal diameter does not always correspond to the drive size, especially for DN32 and DN40 (see D1)!