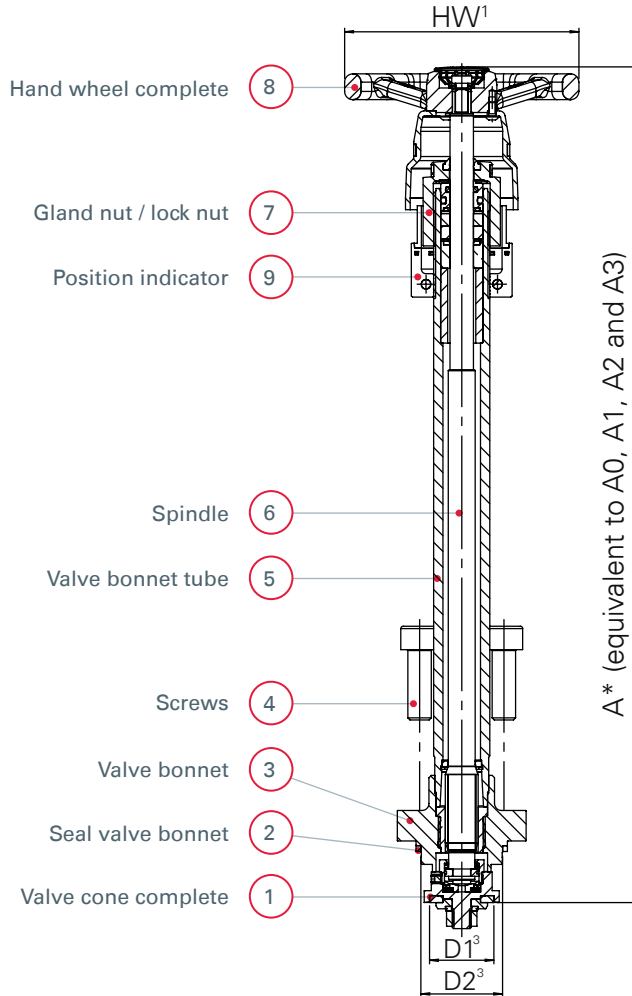


→ Overview of spare parts 2180 |
Valve bonnet complete with position indicator



■ VALVE BONNET COMPLETE WITH POSITION INDICATOR FOR SERIES 2180 (A1 - A3)

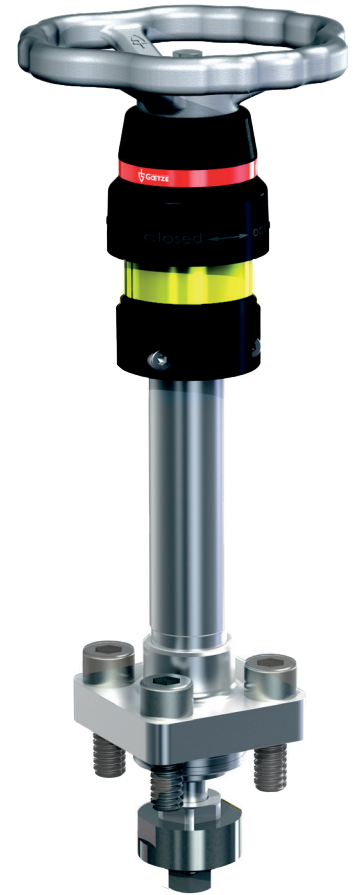
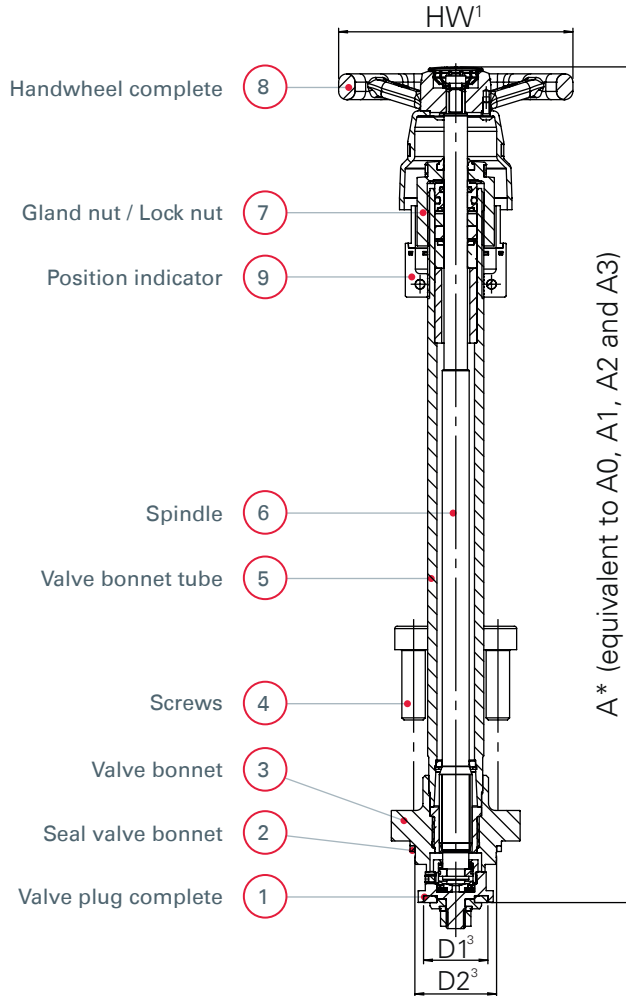
| Pos. | Description | Material | Nominal diameter | D1 [mm] | D2 [mm] | Item No. (A1) | Item No. (A2) | Item No. (A3) |
|------|----------------------------------|----------------|--------------------|---------|---------|---------------|---------------|---------------|
| 1 | Valve cone complete ¹ | | | | | | | |
| 2 | Seal valve bonnet | PTFE TFM 1600 | | | | | | |
| 3 | Valve bonnet | 1.4408 / CF8M | DN 10 | 17 | 24 | E2180.010.62 | E2180.010.61 | E2180.010.60 |
| 4 | Screws | 1.4301 / 304 | DN 15 | 22 | 26 | E2180.015.62 | E2180.015.61 | E2180.015.60 |
| | | | DN 20 | 26 | 32 | E2180.020.62 | E2180.020.61 | E2180.020.60 |
| 5 | Valve bonnet tube | 1.4404 / 316 L | DN 25 | 29,5 | 35 | E2180.025.62 | E2180.025.61 | E2180.025.60 |
| | | | DN 32 ² | 38 | 44 | E2180.032.62 | E2180.032.61 | E2180.032.60 |
| 6 | Spindle | 1.4404 / 316 L | DN 40 ² | 38/43 | 44/48 | E2180.040.62 | E2180.040.61 | E2180.040.60 |
| 7 | Gland nut / lock nut | 1.4404 / 316 L | DN 50 | 52 | 57 | E2180.050.62 | E2180.050.61 | E2180.050.60 |
| 8 | Hand wheel complete ¹ | PA6 30% GF | | | | | | |
| 9 | Position indicator ¹ | 1.4408 / CF8M | | | | | | |

¹ Materials, see spare parts overview 2180: Valve plug complete, handwheel complete and position indicator.

² Please note, especially for DN32 and DN40, that the actuator size does not always correspond to the nominal diameter (see D1 and D2).

Safety valves and fittings for cryogenic applications

→ Overview of spare parts 2180 | Valve bonnet complete with check function and position indicator



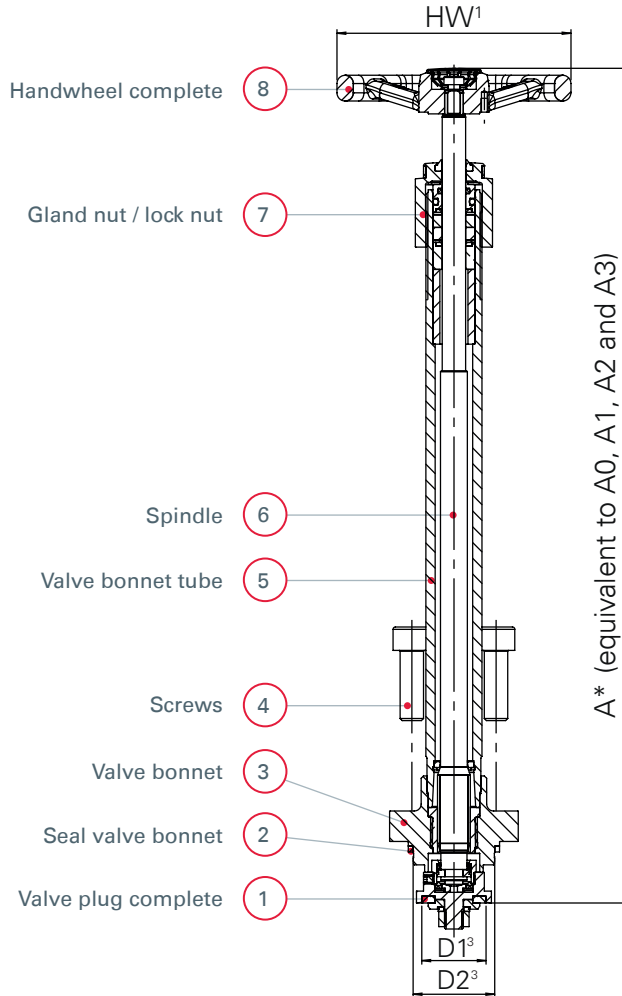
■ VALVE BONNET COMPLETE WITH CHECK FUNCTION AND POSITION INDICATOR FOR SERIES 2180 (A1 - A3)

| Pos. | Description | Material | Nominal diameter | D1 [mm] | D2 [mm] | Item No. (A1) | Item No. (A2) | Item No. (A3) |
|------|--|----------------------------------|--------------------|---------|---------|---------------|---------------|---------------|
| 1 | Valve plug complete with RV ¹ | | | | | | | |
| 2 | Seal Valve bonnet | PTFE TFM 1600 | | | | | | |
| 3 | Valve bonnet | 1.4408 / CF8M | DN 10 | 17 | 24 | E2180.010.67 | E2180.010.66 | E2180.010.65 |
| 4 | Screws | 1.4301 / 304 | DN 15 | 22 | 26 | E2180.015.67 | E2180.015.66 | E2180.015.65 |
| 5 | Valve bonnet tube | 1.4571 / 316Ti 1.4404 / 316 L | DN 20 | 26 | 32 | E2180.020.67 | E2180.020.66 | E2180.020.65 |
| | | | DN 25 | 29,5 | 35 | E2180.025.67 | E2180.025.66 | E2180.025.65 |
| 6 | Spindle | 1.4404 / 316 L | DN 32 ² | 38 | 44 | E2180.032.67 | E2180.032.66 | E2180.032.65 |
| | | | DN 40 ² | 43 | 48 | E2180.040.67 | E2180.040.66 | E2180.040.65 |
| 7 | Gland nut / Lock nut | 1.4404 / 316 L | DN 50 | 52 | 57 | E2180.050.67 | E2180.050.66 | E2180.050.65 |
| 8 | Handwheel ¹ | PA6 30% GF | | | | | | |
| 9 | Position indicator | 1.4408 / CF8M | | | | | | |

¹ Materials, see spare parts overview 2180: Valve plug complete, handwheel complete and position indicator.

² Please note, especially for DN32 and DN40, that the actuator size does not always correspond to the nominal diameter (see D1 and D2).

→ Overview of spare parts 2180 |
Valve bonnet complete without position indicator



■ VALVE BONNET COMPLETE WITHOUT POSITION INDICATOR FOR SERIES 2180 (A1 - A3)

| Pos. | Description | Material | Nominal diameter | D1 [mm] | D2 [mm] | Item No. (A1) | Item No. (A2) | Item No. (A3) |
|------|----------------------------------|---------------------|--------------------|---------|---------|---------------|---------------|---------------|
| 1 | Valve plug complete ¹ | | | | | | | |
| 2 | Seal valve bonnet | PTFE TFM 1600 | | | | | | |
| 3 | Valve bonnet | 1.4408 / CF8M | DN 10 | 17 | 24 | E2180.010.82 | E2180.010.81 | E2180.010.80 |
| 4 | Screws | 1.4301 / 304 | DN 15 | 22 | 26 | E2180.015.82 | E2180.015.81 | E2180.015.80 |
| | | | DN 20 | 26 | 32 | E2180.020.82 | E2180.020.81 | E2180.020.80 |
| 5 | Valve bonnet tube | 1.4404 / 316 L | DN 25 | 29,5 | 35 | E2180.025.82 | E2180.025.81 | E2180.025.80 |
| | | | DN 32 ² | 38 | 44 | E2180.032.82 | E2180.032.81 | E2180.032.80 |
| 6 | Spindle | 1.4404 / 316 L | DN 40 ² | 38/43 | 44/48 | E2180.040.82 | E2180.040.81 | E2180.040.80 |
| | | | DN 50 | 52 | 57 | E2180.050.82 | E2180.050.81 | E2180.050.80 |
| 7 | Gland nut / lock nut | CW617N ³ | | | | | | |
| 8 | Handwheel complete ¹ | 1.4408 / CF8M | | | | | | |

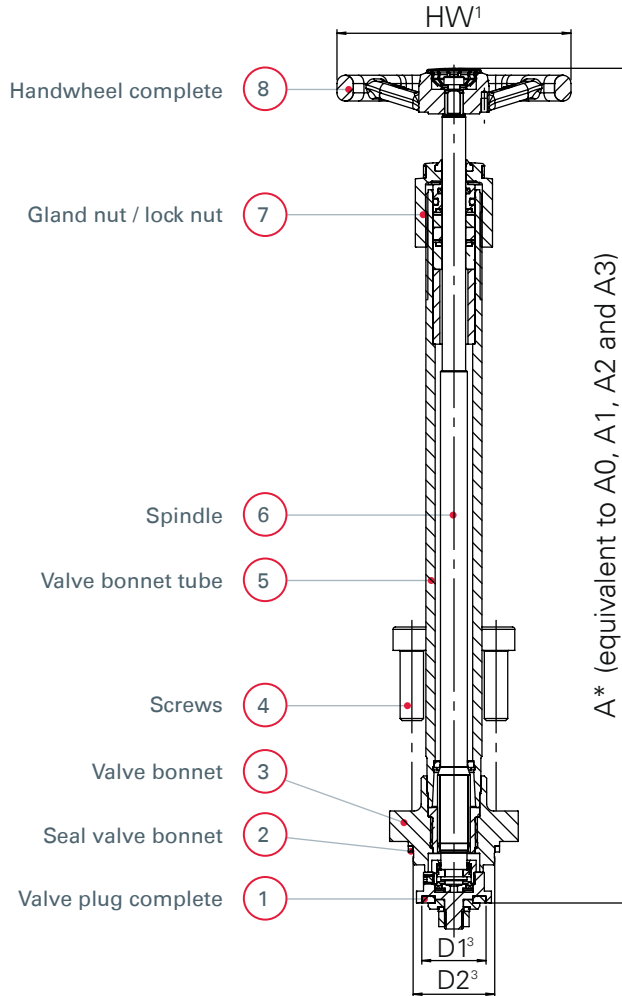
¹ Materials, see overview of spare parts 2180: Valve plug complete and handwheel complete.

² Please note, especially for DN32 and DN40, that the actuator size does not always correspond to the nominal diameter (see D1 and D2).

³ A0: 1.4404 / 316 L

Safety valves and fittings for cryogenic applications

→ Overview of spare parts 2180 | Valve bonnet complete with check function without position indicator



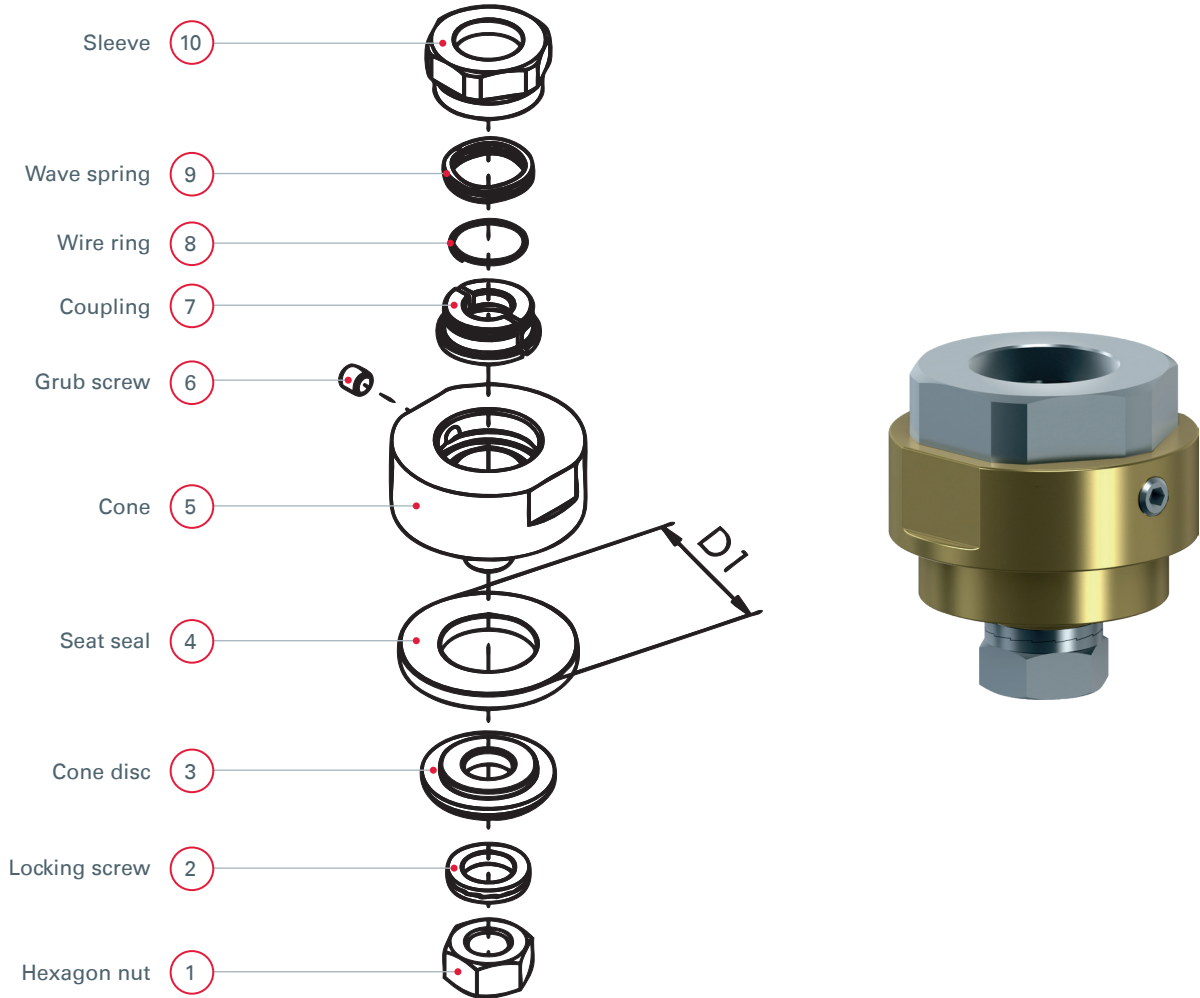
■ VALVE BONNET COMPLETE WITH CHECK FUNCTION WITHOUT POSITION INDICATOR FOR SERIES 2180 (A1 - A3)

| Pos. | Description | Material | Nominal diameter | D1 [mm] | D2 [mm] | Item No. (A1) | Item No. (A2) | Item No. (A3) |
|------|--|----------------------------------|--------------------|---------|---------|---------------|---------------|---------------|
| 1 | Valve plug complete with RV ¹ | | | | | | | |
| 2 | Seal Valve bonnet | PTFE TFM 1600 | | | | | | |
| 3 | Valve bonnet | 1.4408 / CF8M | DN 10 | 17 | 24 | E2180.010.87 | E2180.010.86 | E2180.010.85 |
| 4 | Screws | 1.4301 / 304 | DN 15 | 22 | 26 | E2180.015.87 | E2180.015.86 | E2180.015.85 |
| | | | DN 20 | 26 | 32 | E2180.020.87 | E2180.020.86 | E2180.020.85 |
| 5 | Valve bonnet tube | 1.4571 / 316Ti 1.4404 / 316 L | DN 25 | 29,5 | 35 | E2180.025.87 | E2180.025.86 | E2180.025.85 |
| | | | DN 32 ² | 38 | 44 | E2180.032.87 | E2180.032.86 | E2180.032.85 |
| | | | DN 40 ² | 43 | 48 | E2180.040.87 | E2180.040.86 | E2180.040.85 |
| 6 | Spindle | 1.4404 / 316 L | DN 50 | 52 | 57 | E2180.050.87 | E2180.050.86 | E2180.050.85 |
| 7 | Gland nut / lock nut | 1.4404 / 316 L | | | | | | |
| 8 | Handwheel ¹ | 1.4408 / CF8M | | | | | | |

¹ Materials, see overview of spare parts 2180: Valve plug complete and handwheel complete.

² Please note, especially for DN32 and DN40, that the actuator size does not always correspond to the nominal diameter (see D1 and D2).

→ Overview of spare parts 2180 | Valve disc section complete with spindle adaption

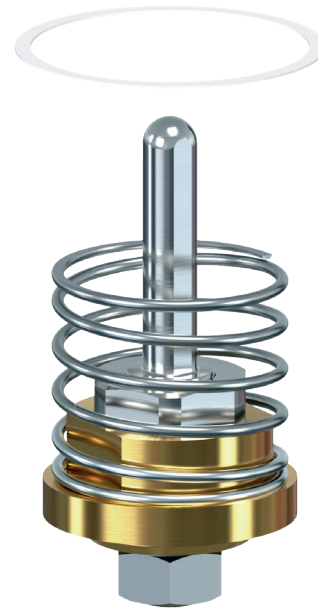
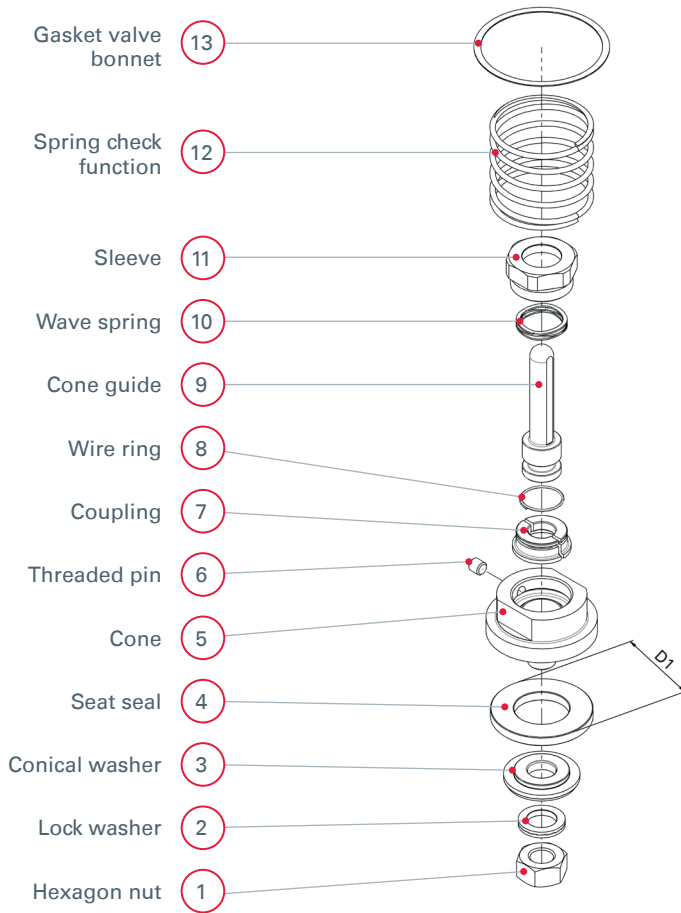


■ COMPONENTS VALVE DISC SECTION COMPLETE WITH SPINDLE ADAPTION 2180

| No. | Description | Material | Nominal diameter | D1 | Item No. |
|-----|---------------|----------------|--------------------|------|--------------|
| 1 | Hexagon nut | 1.4401 / 316 | | | |
| 2 | Locking screw | 1.4404 / 316 L | | | |
| 3 | Cone disc | CW617N | | | |
| 4 | Seat seal | PTFE TF 4215 | DN 10 | 17 | E2180.010.20 |
| 5 | Cone | CW617N | DN 15 | 22 | E2180.015.20 |
| | | | DN 20 | 26 | E2180.020.20 |
| 6 | Grub screw | 1.4301 / 304 | DN 25 | 29,5 | E2180.025.20 |
| | | | DN 32 ¹ | 38 | E2180.032.20 |
| 7 | Coupling | 1.4404 / 316 L | DN 40 ¹ | 43 | E2180.040.20 |
| | | | DN 50 | 52 | E2180.050.20 |
| 8 | Wire ring | 1.4310 | | | |
| 9 | Wave spring | 1.4568 | | | |
| 10 | Sleeve | 1.4404 / 316 L | | | |

¹ Please note with the nominal diameter that the actuator size does not always correspond to the DN, especially with DN32 and DN40 (see D2)!

→ Overview of spare parts 2180 |
Valve cone complete with non-return function



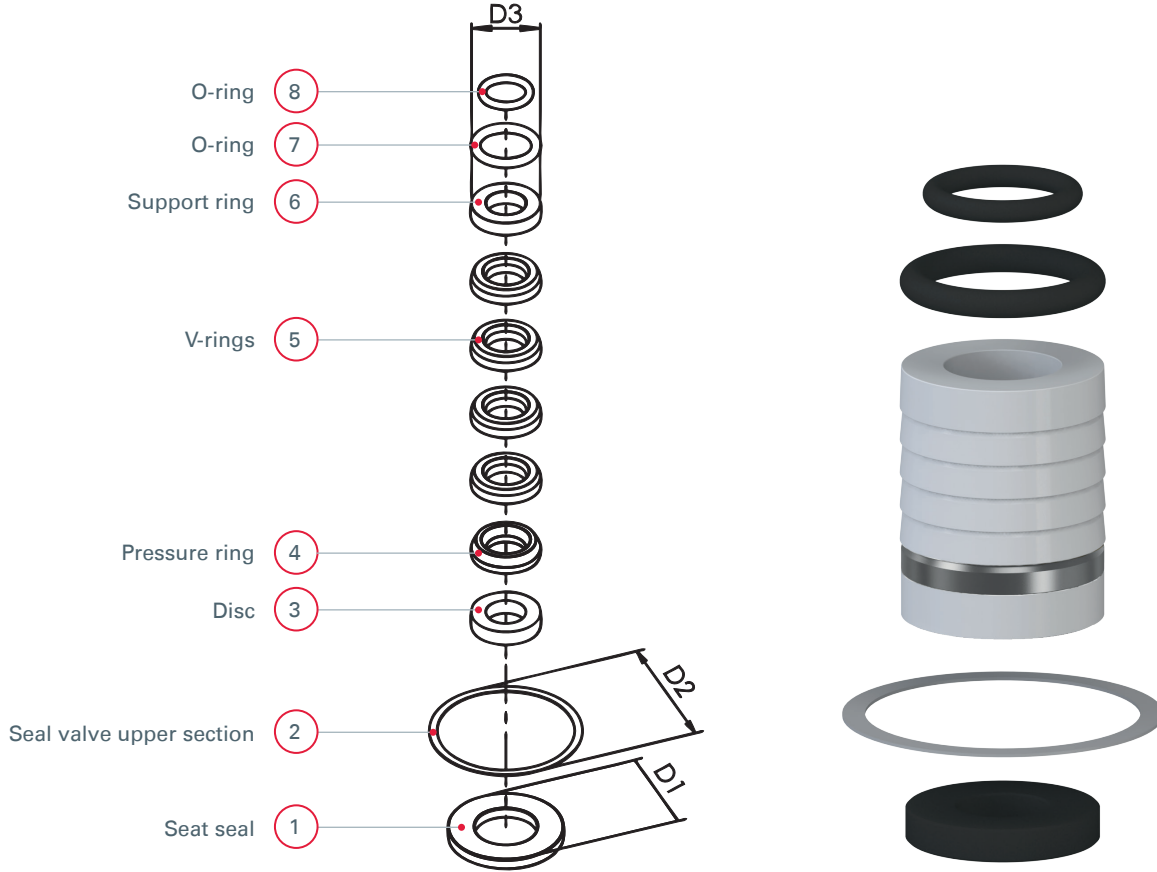
■ SPARE PARTS VALVE CONE COMPLETE WITH NON-RETURN FUNCTION 2180

| Pos. | Description | Material | Nominal diameter | D1 [mm] | Item No. |
|------|-----------------------|----------------|--------------------|---------|--------------|
| 1 | Hexagon nut | 1.4404 / 316 L | | | |
| 2 | Lock washer | 1.4404 / 316 L | | | |
| 3 | Conical washer | 1.4404 / 316 L | | | |
| 4 | Seat seal | PTFE TF 4215 | | | |
| 5 | Cone | 1.4404 / 316 L | DN 10 | 17 | E2180.010.21 |
| 6 | Threaded pin | 1.4301 / 304 | DN 15 | 22 | E2180.015.21 |
| 7 | Coupling | 1.4404 / 316 L | DN 20 | 26 | E2180.020.21 |
| 8 | Wire ring | 1.4310 / 302 | DN 25 | 29,5 | E2180.025.21 |
| 9 | Cone guide | 1.4404 / 316 L | DN 32 ¹ | 38 | E2180.032.21 |
| 10 | Wave spring | 1.4401 / 316 | DN 40 ¹ | 43 | E2180.040.21 |
| 11 | Sleeve | 1.4404 / 316 L | DN 50 | 52 | E2180.050.21 |
| 12 | Spring check function | 1.4310 / 302 | | | |
| 13 | Gasket valve bonnet | PTFE TFM 1600 | | | |

¹ Please note that the nominal diameter does not always correspond to the drive size.

Safety valves and fittings for cryogenic application

→ Overview of spare parts 2140/2180 | Sealing set complete

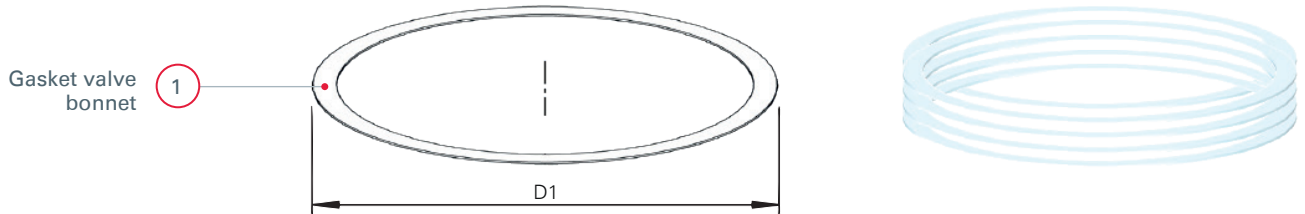


■ COMPONENTS SEALING SET COMPLETE 2180

| No. | Description | Material | Nominal diameter | D1 | D2 | D3 | Item No. |
|-----|--------------------------|----------------|--------------------|---------|-------|-------|--------------|
| 1 | Seat seal | PTFE TF 4215 | | | | | |
| 2 | Seal valve upper section | PTFE TFM 1600 | | | | | |
| 3 | Disc | PTFE TFM 1600 | DN 10 | 17 mm | 28 mm | 18 mm | E2140.010.35 |
| | | | DN 15 | 22 mm | 30 mm | 18 mm | E2140.015.35 |
| 4 | Pressure ring | 1.4404 / 316 L | DN 20 | 26 mm | 38 mm | 18 mm | E2140.020.35 |
| | | | DN 25 | 29,5 mm | 39 mm | 18 mm | E2140.025.35 |
| 5 | V-rings | PTFE TFM 1600 | DN 32 ¹ | 38 mm | 50 mm | 22 mm | E2140.032.35 |
| | | | DN 40 ¹ | 43 mm | 54 mm | 22 mm | E2140.040.35 |
| 6 | Support ring | PTFE TFM 1600 | DN 50 | 52 mm | 63 mm | 22 mm | E2140.050.35 |
| 7 | O-ring | HNBR | | | | | |
| 8 | O-ring | HNBR | | | | | |

¹When selecting the nominal size, please note that the actuator size does not always correspond to the DN, especially with DN32 and DN40 (see D1, D2 + D3)!

→ Overview of spare parts
2140/2142/2143/2180/2182/2183 |
Gasket package valve bonnet

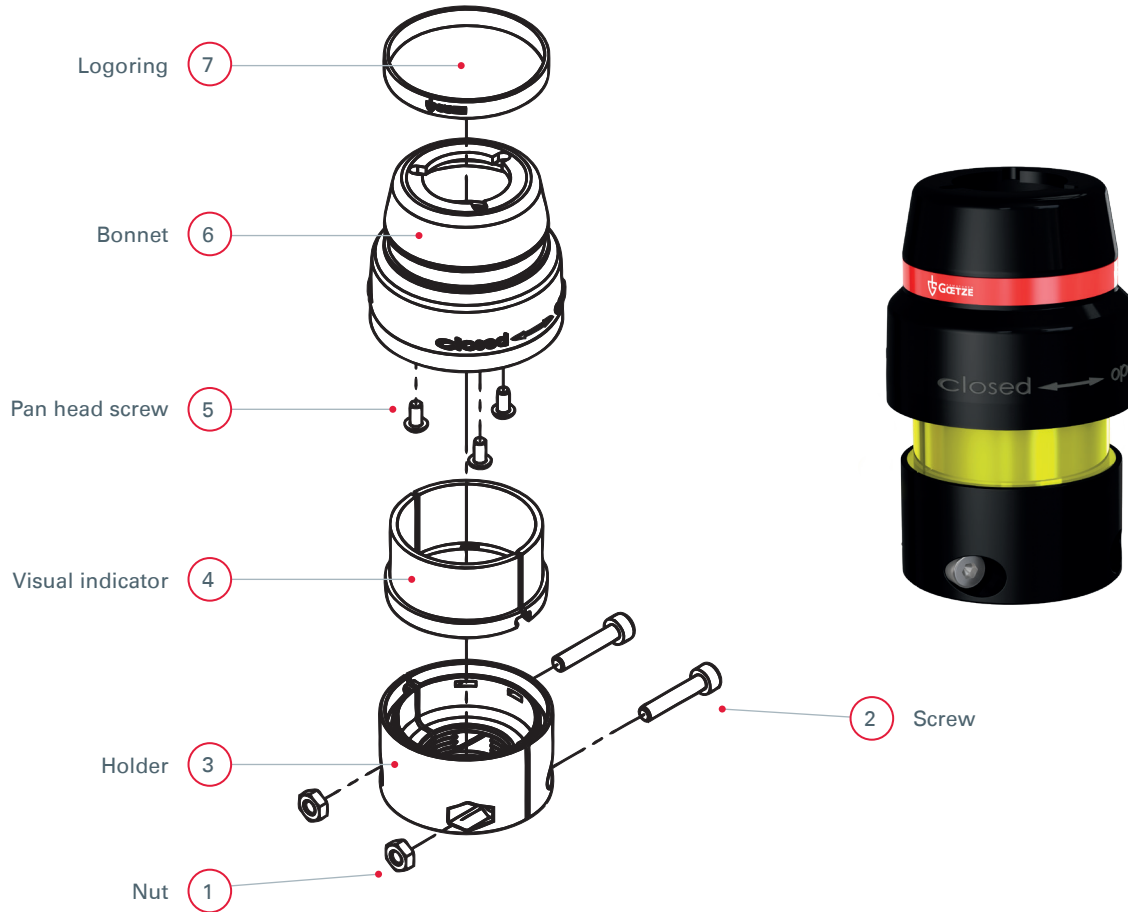


■ GASKET PACKAGE VALVE BONNET 2140/2142/2143/2180/2182/2183

| Pos. | Description | Material | Nominal diameter | D1 [mm] | Number of items | Item No. |
|------|---------------------|---------------|--------------------|---------|-----------------|--------------|
| 1 | Gasket valve bonnet | PTFE TFM 1600 | DN 10 | 28 | 5 | E2140.010.38 |
| | | | DN 15 | 30 | | E2140.015.38 |
| | | | DN 20 | 38 | | E2140.020.38 |
| | | | DN 25 | 39 | | E2140.025.38 |
| | | | DN 32 ¹ | 50 | | E2140.032.38 |
| | | | DN 40 ¹ | 54 | | E2140.040.38 |
| | | | DN 50 | 63 | | E2140.050.38 |

¹ Please note that the nominal diameter does not always correspond to the drive size, especially for DN32 and DN40 (see D1)!

→ Overview of spare parts 2140/2180/2141 | Position indicator

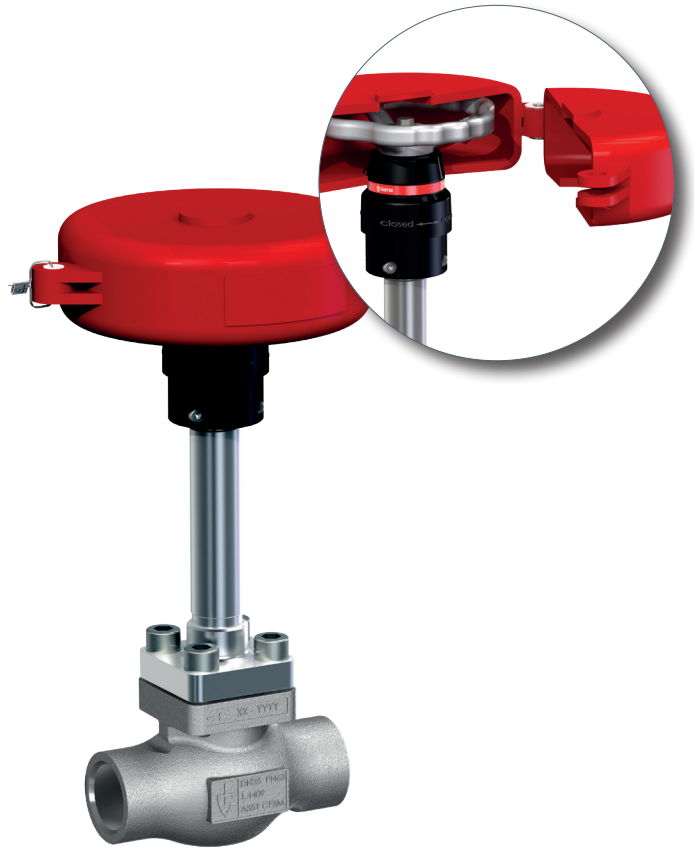
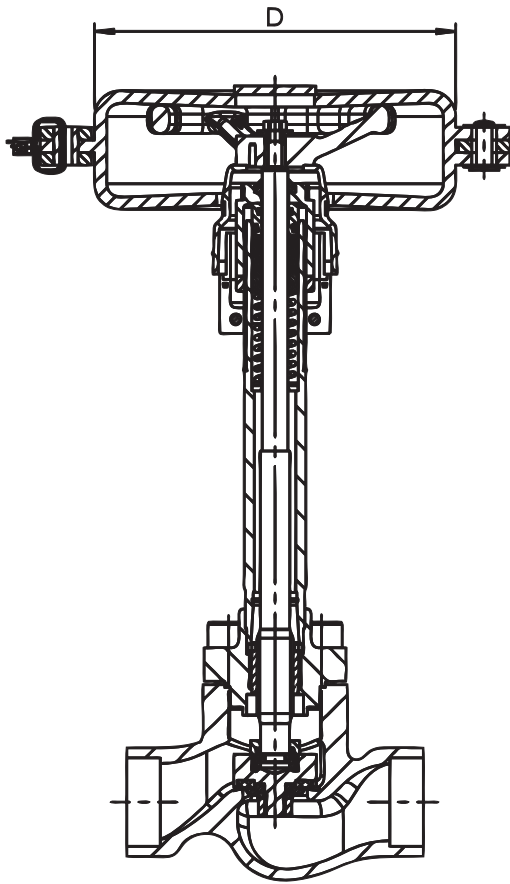


■ INDIVIDUAL PARTS POSITION INDICATOR 2180

| Pos. | Description | Material | Nominal diameter | Item No. |
|------|------------------|---------------------|--------------------------------|----------------------------------|
| 1 | Nut | 1.4401 / 316 | DN 10 – DN 25 DN 32 – DN 50 | E2140.01025.01 E2140.03250.01 |
| 2 | Screw | 1.4301 / 304 | | |
| 3 | Holder | PA6 30GF - black | | |
| 4 | Visual indicator | PA6 30GF - yellow | | |
| 5 | Pan head screw | 1.4401 / 316 | | |
| 6 | Bonnet | PA6 30GF - black | | |
| 7 | Logoring | Elastolan C 95 A 55 | | |

Safety valves and fittings for cryogenic applications

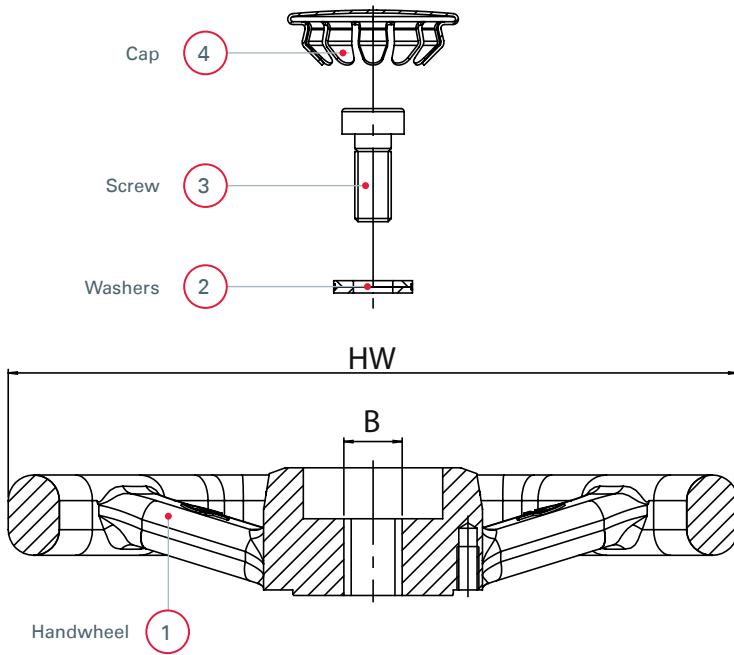
→ Overview of spare parts 2140/2180/2141 | Handwheel locking



■ HANDWHEEL LOCKING 2180

| No. | Description | Material | Nominal diameter | D | Item No. |
|-----|------------------------------|--------------|------------------|-----|----------------|
| 1 | Valve shut-off for handwheel | Polypropylen | DN 10 – DN 50 | 140 | E2140.01050.05 |

→ Overview of spare parts 2140/2180/2141 | Handwheel complete



■ INDIVIDUAL PARTS HANDWHEEL 2140 / 2180 / 2141

| Pos. | Description | Material | Nominal diameter | HW [mm] | B (square) [mm] | Item No. |
|------|------------------------|-----------------|--------------------------------|------------|-----------------|----------------------------------|
| 1 | Handwheel ¹ | 1.4408 / CF8M | | | | |
| 2 | Washers | 1.4547 / 254SMO | DN 10 – DN 25 DN 32 – DN 50 | 100 125 | 8 12 | E2140.01025.11 E2140.03250.11 |
| 3 | Screw | 1.4404 / 316 L | | | | |
| 4 | Cap | 1.4301 / 304 | | | | |

¹ Coatings available on request!