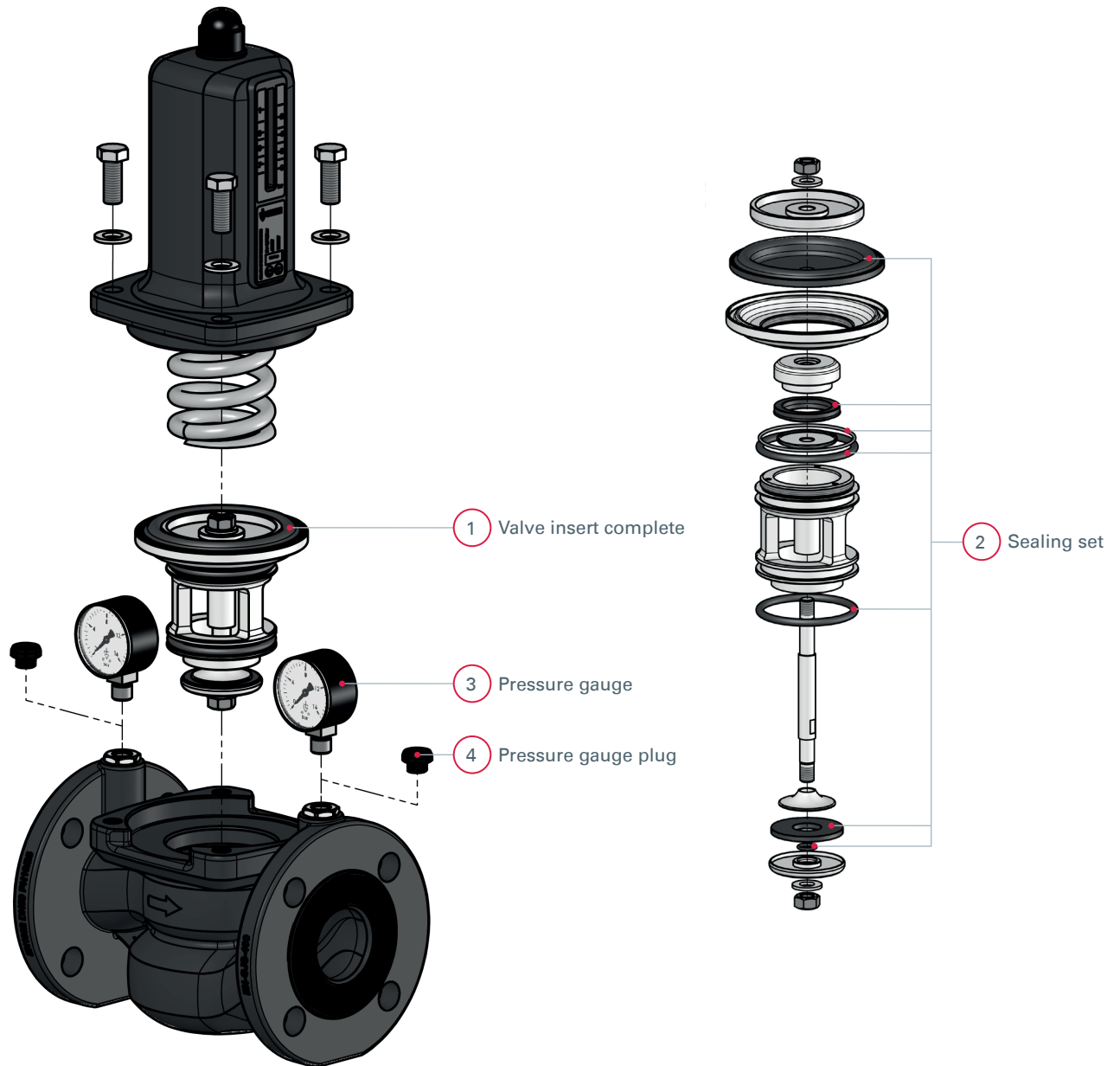


→ Spare parts overview | 382



■ SINGLE PARTS 382

No.	Description	Size	Item No.
1	Valve insert complete	DN 50, DN 65	E0382.050.010
		DN80, DN100, DN125	E0382.080.010
2	Sealing set for valve insert	DN 50, DN 65	E0382.050.020
		DN80, DN100, DN125	E0382.080.020
3	Pressure gauge 0 – 10 bar	All	E0382.050.030
		Pressure gauge 0 – 25 bar	All
4	Pressure gauge plug ¼" with o-ring (5x)	All	E9000.015.040
5	Flange seals EPDM with steel core (2x) Approvals: Elastomer Guideline W270, WRAS, ACS and FDA	DN 50 (107mm x 61mm x 3mm)	E0382.050.050
		DN 65 (127mm x 77mm x 3mm)	E0382.065.050
		DN 80 (142mm x 90mm x 3mm)	E0382.080.50
		DN 100 (162mm x 115mm x 3mm)	E0382.100.50
		DN 125 (192mm x 141mm x 3mm)	E0382.125.50