

## Type 625

Air inlet valve made of brass,  
weight-loaded

## → Type 625

### ■ SUITABLE FOR

Air, gases and vapours      neutral



### ■ EXAMPLES OF USE

For the protection of pressureless tanks and piping systems to avoid vacuum during discharging or cooling-down. These vacuum valves are also called „sniffing valves“. They open in case of a vacuum and release the air until the vacuum has been alleviated.

- emptying of tanks



### ■ NOMINAL DIAMETERS, CONNECTIONS, INSTALLATION DIMENSIONS

#### Type 625: Connection, Installation dimensions, Weight

Nominal diameter	DN	15
Connection DIN EN ISO 228	G	1/2" (15)
Installation dimensions in mm	L	48
	h	13
Weight	SW	27
	kg	0,06

### ■ MATERIAL



### ■ SPECIFICATION



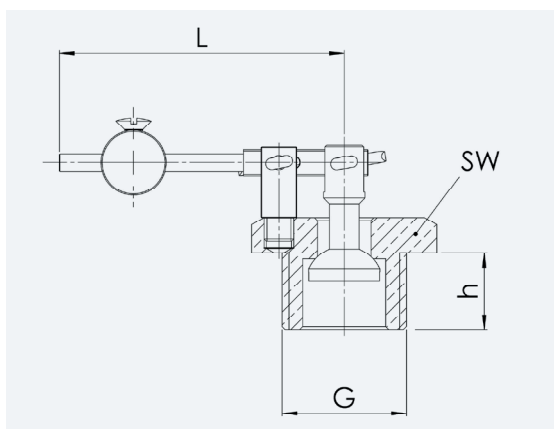
3/8" – 1/2"



from -10°C  
to + 225°C



pressure-  
less



### ■ MATERIALS

Component	Material	DIN EN	ASME
Body	Brass	CW617N	CW617N
Internal parts	Brass	CW617N	CW617N
Seal	Brass	CW617N	CW617N