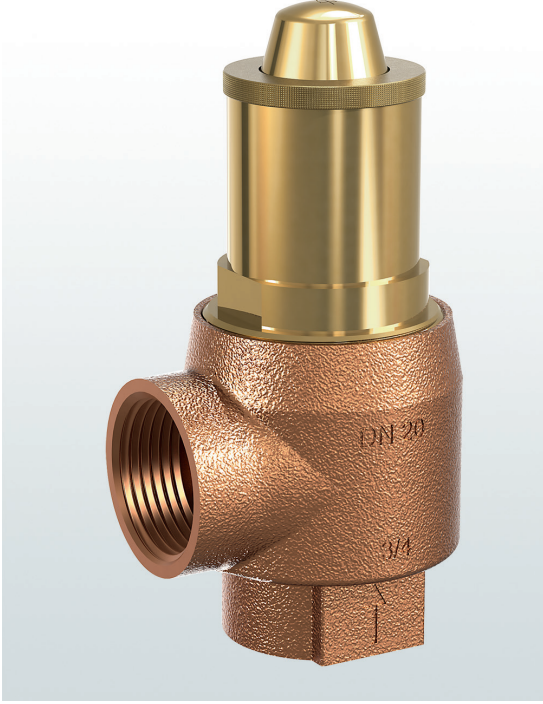


→ Series 651mWIK

651mWIK

Diaphragm safety valves
made of gunmetal,
angle-type
with threaded connections



■ SUITABLE FOR

Warm water



■ EXAMPLES OF USE

For the protection of:

- closed circuit water heaters for drinking water and process water.
The safety valve is installed in the cold water inlet of the hot water heater.

Not permitted in Germany.

- water heaters for potable and process water and -storage tanks

Safety valves are set and sealed at the factory.

■ APPROVALS

European Pressure Equipment Directive

TSG ZF001-2006

TR ZU 032/2013 - TR ZU 010/2011

Type approval ACS

Requirements

PED 2014/68/EU

Classification society

American Bureau of Shipping	ABS
DNV	DNV
Russian Maritime Register of Shipping	RS
Lloyd's Register EMEA	LR EMEA



■ MATERIAL



■ SPECIFICATION



1/2" – 2"



– 10°C to + 95°C



3,0 – 10 bar

■ MATERIALS

Component	Material	DIN EN	ASME
Inlet body	Gunmetal	CC499K	CC499K
Outlet body	Gunmetal	CC499K	CC499K
Internal parts	Brass	CW617N	CW617N
Spring	Spring steel with anti-rust protection	1.1200	ASTM A228

m	Standard with diaphragm	The diaphragm prevents the medium entering into the spring housing and protects moving parts from being affected by the medium.
----------	-------------------------	---

■ MEDIUM

WI	Warm water (international)	Water heaters with temperatures ≤ 95°C
-----------	----------------------------	--

■ TYPE OF LIFTING MECHANISM

K	Standard with twist-type lifting mechanism
----------	--

■ AVAILABLE NOMINAL DIAMETERS AND CONNECTION SIZES

Nominal diameter DN	15	20	25	32	40	50
Inlet	1/2" (15)	3/4" (20)	1" (25)	1 1/4" (32)	1 1/2" (40)	2" (50)
Outlet	1/2" (15)	■				
	3/4" (20)		■			
	1" (25)			■		
	1 1/4" (32)				■	
	1 1/2" (40)					■
2" (50)						■

■ TYPE OF CONNECTION INLET / OUTLET THREADED CONNECTIONS

f / f	Standard	Female thread BSP-P / Female thread BSP-P	DIN EN ISO 228-1 / DIN EN ISO 228-1
--------------	----------	---	-------------------------------------

■ SEALS

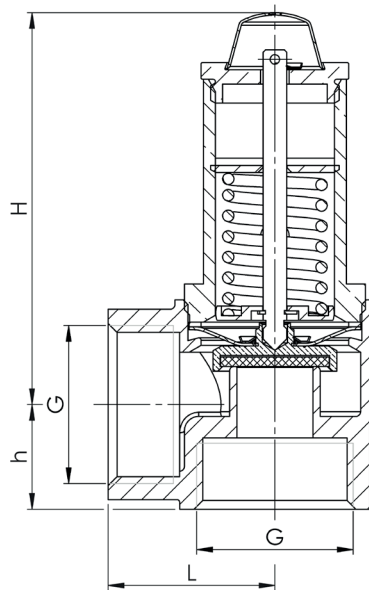
EPDM	Ethylene propylene diene	Elastomere flat seal and diaphragm (up to 100% glycol resistant)	-10°C to +95°C
-------------	--------------------------	--	----------------

■ **NOMINAL DIAMETERS, CONNECTIONS, INSTALLATION DIMENSIONS**

Series 651mWIK: Connection, installation dimensions, ranges of adjustment							
Nominal diameter	DN	15	20	25	32	40	50
Connection DIN EN ISO 228	G	1/2" (15)	3/4" (20)	1" (25)	1 1/4" (32)	1 1/2" (40)	2" (50)
Outlet DIN EN ISO 228	G	1/2" (15)	3/4" (20)	1" (25)	1 1/4" (32)	1 1/2" (40)	2" (50)
Installation dimensions in mm	L	26	31	35	40	46	54
	H	70	70	80	100	140	155
	h	17	18	22	25	28	34
	SW	27	32	40	49	56	68
	do	10	13	16	18	22	25
Weight	kg	0,2	0,3	0,5	0,7	1,2	1,6
Set pressure ¹	bar	6; 8; 10	6; 8; 10	6; 8; 10	6; 8; 10	6; 8; 10	6; 8; 10

¹Other set pressures available on request against surcharge

■ **MAIN DIMENSIONS, INSTALLATION DIMENSIONS**



■ **INDIVIDUAL SELECTION / VALVE CONFIGURATION**

Series	Valve version	Medium	Lifting device	Nominal diameter DN	Connection type		Connection size		Seal	Options	Set pressure	Quantity
					Inlet	Outlet	Inlet	Outlet				
651	m	WI	K	20	f	f	20	20	EPDM		7,0	3
651	m	WI	K		f	f			EPDM			
651	m	WI	K		f	f			EPDM			
651	m	WI	K		f	f			EPDM			

■ **ENQUIRY**

Copy and send to: order@goetze.de.

Series 651mWIK: Blowing-off rates at 0,6 bar or 10% above set pressure								
Nominal diameter DN		15	20	25	32	40	50	
Set pressure bar		6; 8; 10	6; 8; 10	6; 8; 10	6; 8; 10	6; 8; 10	6; 8; 10	
For 8000 liters or more the heating power determines the connection size								
Warm water	Contents of the service water tank in l	over to	120	120	1.000	1.000	1.000	
	Heating output in Gcal/h	1 bar				12,6	18,4	22,2
		2 bar				13,4	22,6	26,4
		3 bar				16,8	23,6	30,0
		4 bar				18,5	24,6	34,1
		5 bar				17,6	28,5	37,3
		6 bar				20,0	30,2	39,0
		7 bar				23,5	35,2	41,0
		8 bar				23,5	36,9	43,5
		9 bar				24,4	38,7	44,1
		10 bar				25,2	43,6	46,0