

→ Series 9640



■ SUITABLE FOR

Potable water cold	up to 40°C	
Potable water hot	up to 65°C	

■ EXAMPLES OF USE

Safety device for protecting drinking water systems against back pressure, backflow and back suction in accordance with DIN EN 1717 up to and including fluid category 4.

Application in, for example

- Dosing systems
- Chemical dosing
- Food factories
- Breweries
- Filling systems
- Water treatment plants
- Industrial dishwashers

■ FEATURES

- Compact design
- Easy maintenance
- Integrated filter screen 250 µm
- Male thread G $\frac{1}{2}$ ' or G $\frac{3}{4}$ '

■ MATERIAL



■ SPECIFICATION



1/2" - 3/4"



+5°C to 65°C



Inlet pressure:
1,5 to 10 bar

■ APPROVALS

DVGW Hygiene | requested

DIN-DVGW type examination | requested

Type approval ACS | requested

Requirements

EN 12729
DIN 4109
UBA BWGL for metallic materials

DVGW W270
Elastomere guideline
KTW guideline

■ MATERIALS

Component	Material	DIN EN
Body	Stainless Steel	1.4408
Ball valves	Stainless Steel / Stainless Steel / Elastomere	1.4408 / 1.4301 / EPDM
System separator insert	Plastic / Stainless Steel / Elastomere	PPSU / 1.4301 / EPDM
Filter screen	Stainless Steel / Plastic	1.4301 / POM
Drain funnel	Plastic	PA Glass fibre reinforced
O-Rings	Elastomere	EPDM
Plugs	Plastic	PA Glass fibre reinforced

■ AVAILABLE NOMINAL DIAMETERS AND CONNECTION SIZES

Nominal diameter DN	10	
Inlet	1/2" (15)	3/4" (20)
Outlet	1/2" (15)	3/4" (20)

■ CONNECTION TYPE INLET/OUTLET THREADED CONNECTIONS

m/m	Standard DN 10	Male thread BSP-P / Male thread BSP-P	DIN EN ISO 228-1 / DIN EN ISO 228-1
BSP-Tm / BSP-Tm	On request Threaded connections	Male thread BSP-T / Male thread BSP-T	DIN EN 10226 / DIN EN 10226

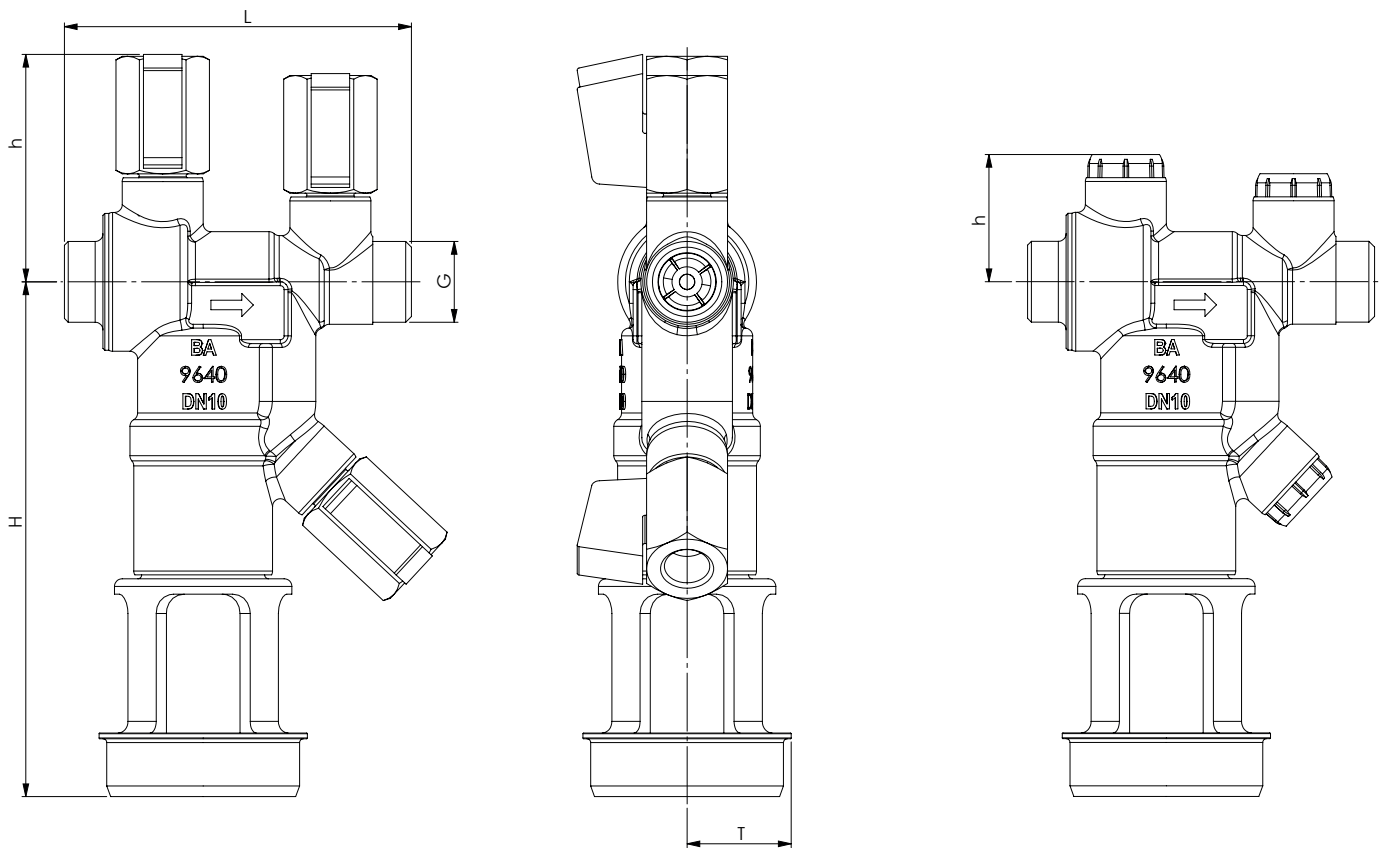
■ SEALS

EPDM	Ethylene propylene diene	Elastomere moulded diaphragm and seals approvals according to drinking water directive
------	--------------------------	---

■ NOMINAL DIAMETERS, CONNECTIONS, INSTALLATION DIMENSIONS

Series 9640: Connection, installation dimensions, ranges of adjustment					
Nominal diameter	DN	10	10	10 (S133)	10 (S133)
Connection	G	G1/2"	G3/4"	G1/2"	G3/4"
Inlet pressure	bar	1,5 – 10	1,5 – 10	1,5 – 10	1,5 – 10
Installation dimensions in mm	L	90	100	90	100
	H	133	133	133	133
	h	60	60	33	33
	T	27	27	27	27
Drain connection	DN	50	50	50	50
Weight	kg	0,98	1,05	0,6	0,67
Flow rate at Δp 1bar	m ³ /h	1,3	1,3	1,3	1,3

■ MAIN DIMENSIONS, INSTALLATION DIMENSIONS



Series 9640 ■ INDIVIDUAL SELECTION / VALVE CONFIGURATION

Series	Nominal diameter	Connection type		Connection size		Seal	Options	Quantity
		Inlet	Outlet	Inlet	Outlet			
9640	10	<i>m</i>	<i>m</i>	15	15	EPDM		
9640	10	<i>m</i>	<i>m</i>	15	15	EPDM	<i>S133</i>	
9640	10	<i>BSP-TM</i>	<i>BSP-TM</i>	15	15	EPDM		
9640	10	<i>BSP-TM</i>	<i>BSP-TM</i>	15	15	EPDM	<i>S133</i>	

■ TECHNICAL VARIANTS

S133 without ball valves



■ ENQUIRY

Copy and send to: order@goetze.de.

Series 9640:

Flow chart water

