



# → Series 9641



### ■ SUITABLE FOR

Potable water cold	up to 40°C	
Potable water hot	up to 65°C	

### ■ EXAMPLES OF USE

Safety device for protecting drinking water systems against back pressure, backflow and back suction in accordance with DIN EN 1717 up to and including fluid category 4.

Application in, for example

- Standpipe protection
- Construction water supply
- Food factory
- Foam cleaning/foam disinfection
- High-pressure cleaner

### ■ FEATURES

- Compact design
- Easy maintenance
- Integrated filter screen 250 µm
- Rotatable union nut connection G1'

### ■ MATERIAL



### ■ SPECIFICATION



DN20



+5°C to 65°C



**Inlet pressure:**  
1,5 to 10 bar

### ■ APPROVALS

DVGW Hygiene | requested

DIN-DVGW type examination | requested

Type approval ACS | requested

#### Requirements

EN 12729  
DIN 4109  
UBA BWGL for metallic materials

DVGW W270  
Elastomere guideline  
KTW guideline

### ■ MATERIALS

Component	Material	DIN EN
Body	Stainless Steel	1.4408
System separator insert	Plastic / Stainless Steel / Elastomere	PPSU / 1.4301 / EPDM
Filter screen	Stainless Steel / Plastic	1.4301 / POM
O-Rings	Elastomere	EPDM
Plugs	Stainless Steel	1.4408

#### ■ AVAILABLE NOMINAL DIAMETERS AND CONNECTION SIZES

Nominal diameter DN	20
Inlet	1" (25)
Outlet	1 1/4" (32)

#### ■ CONNECTION TYPE INLET/OUTLET THREADED CONNECTIONS

f/m	Standard DN 20	Internal thread BSP-P / External thread BSP-P	DIN EN ISO 228-1 / DIN EN ISO 228-1
-----	----------------	---	-------------------------------------

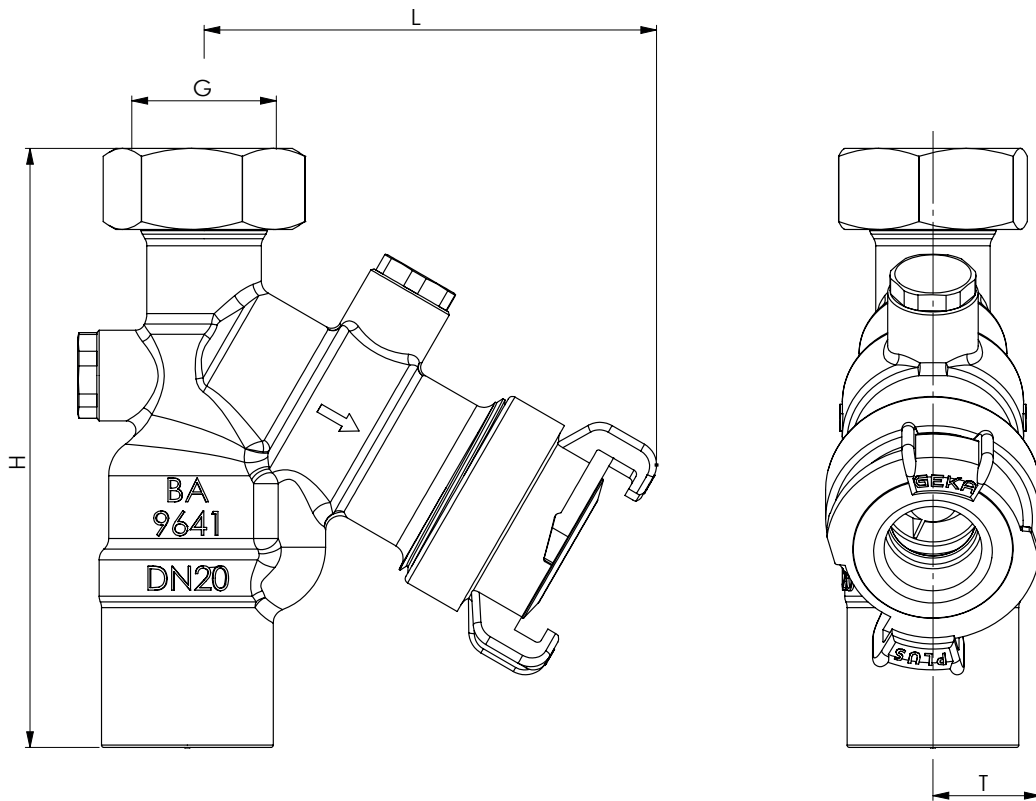
#### ■ SEALS

EPDM	Ethylene propylene diene	Elastomere moulded diaphragm and seals approvals according to drinking water directive
------	--------------------------	--

■ NOMINAL DIAMETERS, CONNECTIONS, INSTALLATION DIMENSIONS

Series 9641: Connection, installation dimensions, ranges of adjustment		
	DN	15
Connection input	G	G1"
Inlet pressure	bar	1,5-10
Installation dimensions in mm	L	95
	H	125
	T	23
Drain connection	DN	50
Weight	kg	0,95
Flow rate at $\Delta p$ 1bar	m <sup>3</sup> /h	1,9

■ MAIN DIMENSIONS, INSTALLATION DIMENSIONS



Series 9641 ■ INDIVIDUAL SELECTION / VALVE CONFIGURATION

Series	Nominal diameter	Connection type		Connection size		Seal	Options	Quantity
		Inlet	Outlet	Inlet	Outlet			
9641	20	<i>f</i>	<i>m</i>	25	32	EPDM		

■ ENQUIRY

Copy and send to: [order@goetze.de](mailto:order@goetze.de).

Series 9641:

### Flow chart water

