

9661

System separator
Lead-free brass backflow
preventer for tap connection

→ Series 9661



■ SUITABLE FOR

Potable water cold	up to 40°C	
Potable water hot	up to 65°C	

■ EXAMPLES OF USE

Safety device for protecting drinking water systems against back pressure, backflow and back suction in accordance with DIN EN 1717 up to and including fluid category 4.

Application in, for example

- Heating refill
- Standpipe safety device
- High-pressure cleaner
- Above-ground garden irrigation

■ FEATURES

- Compact design
- Easy maintenance
- Integrated filter screen 250 µm
- Rotatable union nut connection G $\frac{3}{4}$ '
- Lead-free

■ APPROVALS

DVGW Hygiene requested	
DIN-DVGW type examination requested	
Type approval ACS requested	
Requirements	
EN 12729	DVGW W270
DIN 4109	Elastomere guideline
UBA BWGL for metallic materials	KTW guideline

■ MATERIAL



■ SPECIFICATION



DN15



+5°C to 65°C



Inlet pressure:
1,5 to 10 bar

■ MATERIALS

Component	Material	DIN EN
Body	Lead-free brass	CC768S
System separator insert	Plastic / Stainless Steel / Elastomere	PPSU / 1.4301 / EPDM
Filter screen	Stainless Steel / Plastic	1.4301 / POM
Drain funnel	Plastic	PA Glass fibre reinforced
O-Rings	Elastomere	EPDM
Plugs	Plastic	PA Glass fibre reinforced

■ AVAILABLE NOMINAL DIAMETERS AND CONNECTION SIZES

Nominal diameter DN	15
Inlet	3/4" (20)
Outlet	1" (25)

■ CONNECTION TYPE INLET/OUTLET THREADED CONNECTIONS

f/m	Standard DN 15	Internal thread BSP-P / External thread BSP-P	DIN EN ISO 228-1 / DIN EN ISO 228-1
-----	----------------	-----------------------------------------------	-------------------------------------

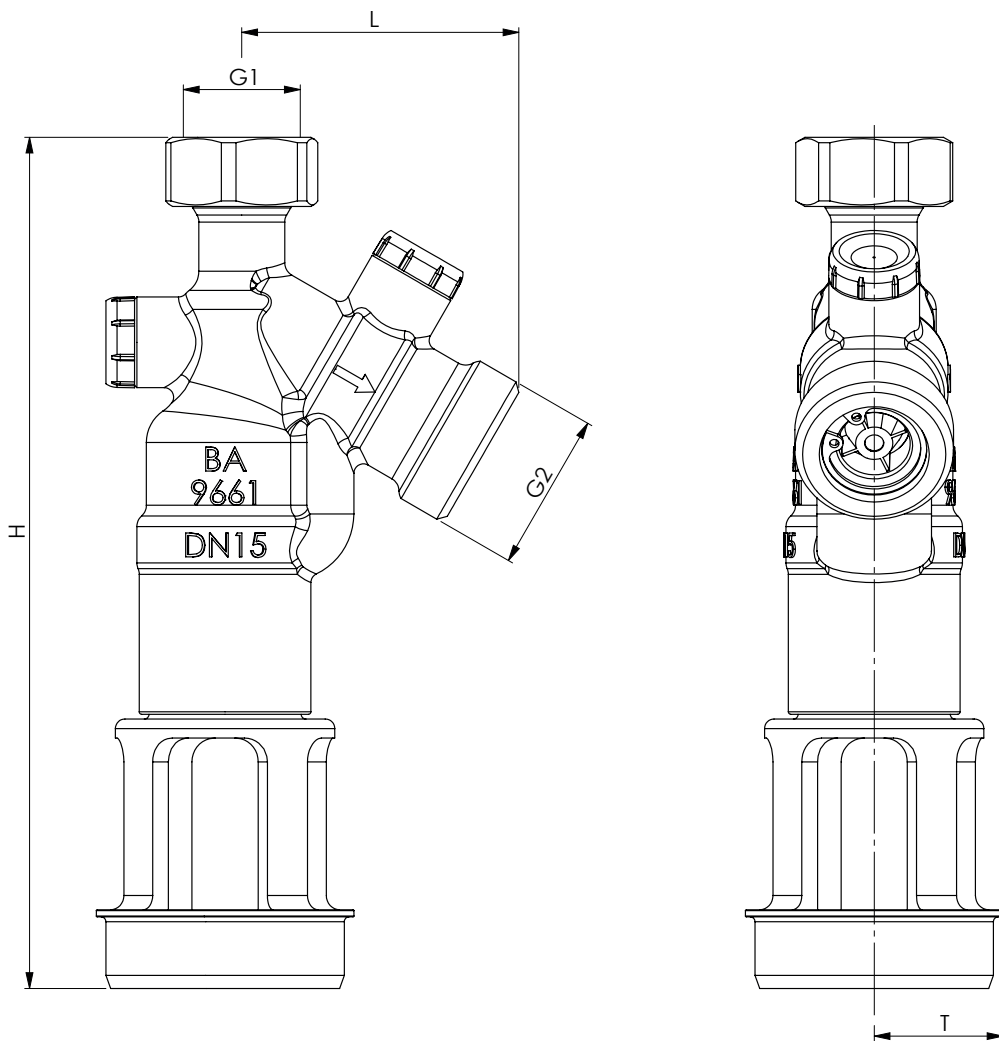
■ SEALS

EPDM	Ethylene propylene diene	Elastomere moulded diaphragm and seals approvals according to drinking water directive
------	--------------------------	----------------------------------------------------------------------------------------

■ NOMINAL DIAMETERS, CONNECTIONS, INSTALLATION DIMENSIONS

Series 9661: Connection, installation dimensions, ranges of adjustment		
	DN	15
Connection input	G1	G3/4"
Connection output	G2	G1"
Inlet pressure	bar	1,5-10
Installation dimensions in mm	L	58
	H	179
	T	26
Drain connection	DN	50
Weight	kg	0,6
Flow rate at Δp 1bar	m ³ /h	1,1

■ MAIN DIMENSIONS, INSTALLATION DIMENSIONS



Series 9661 ■ INDIVIDUAL SELECTION / VALVE CONFIGURATION

Series	Nominal diameter	Connection type		Connection size		Seal	Options	Quantity
		Inlet	Outlet	Inlet	Outlet			
9661	15	<i>f</i>	<i>m</i>	20	25	EPDM		

■ ENQUIRY

Copy and send to: order@goetze.de.

Series 9660:

Flow chart water

